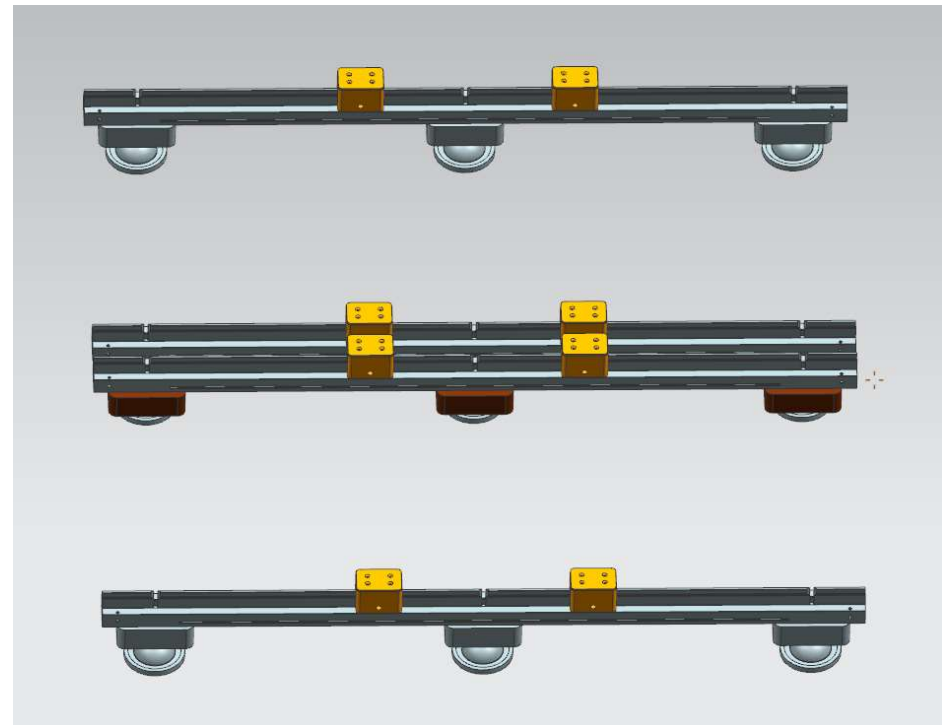
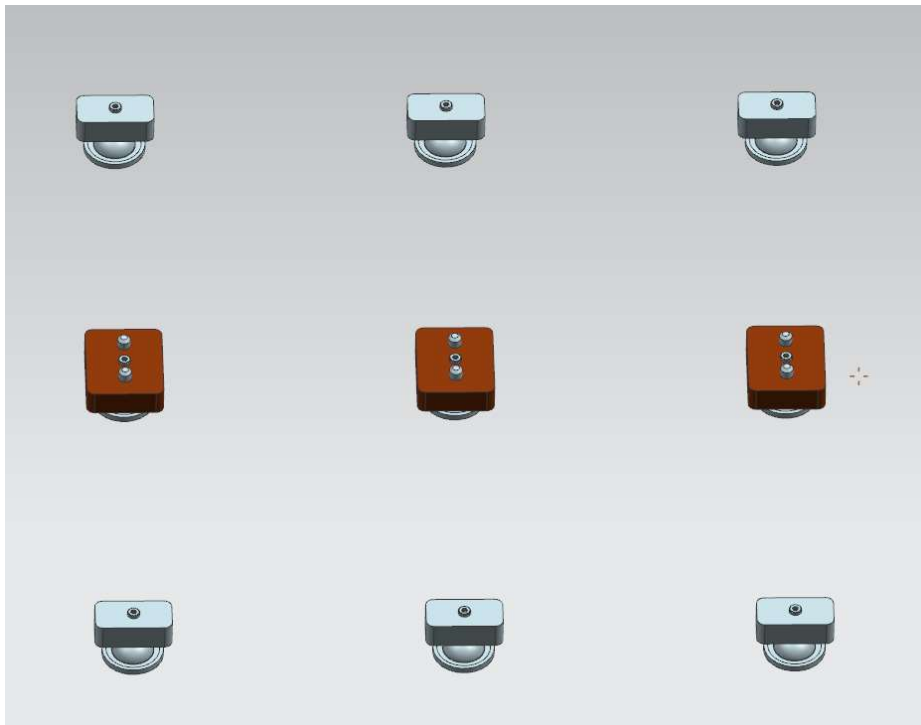
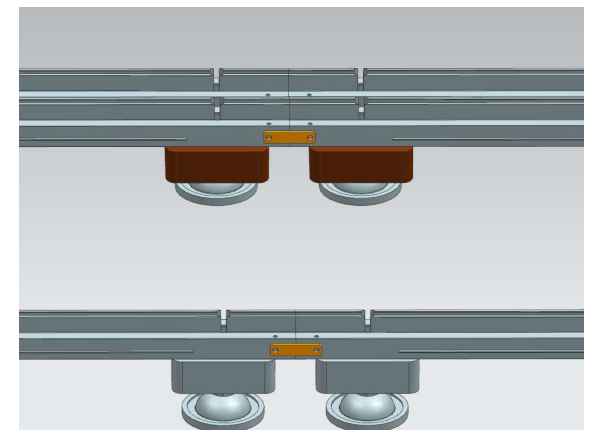
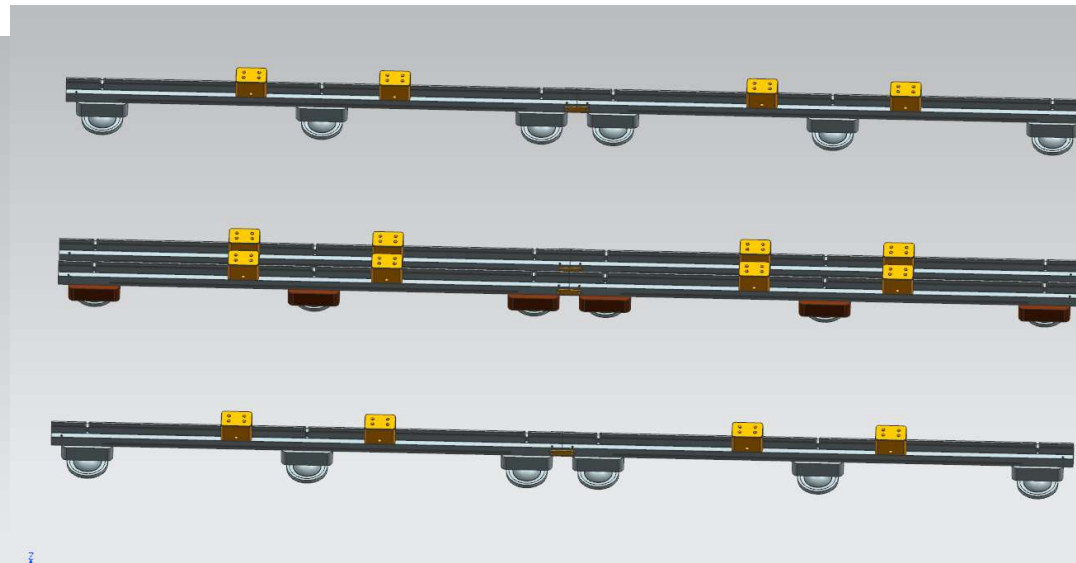
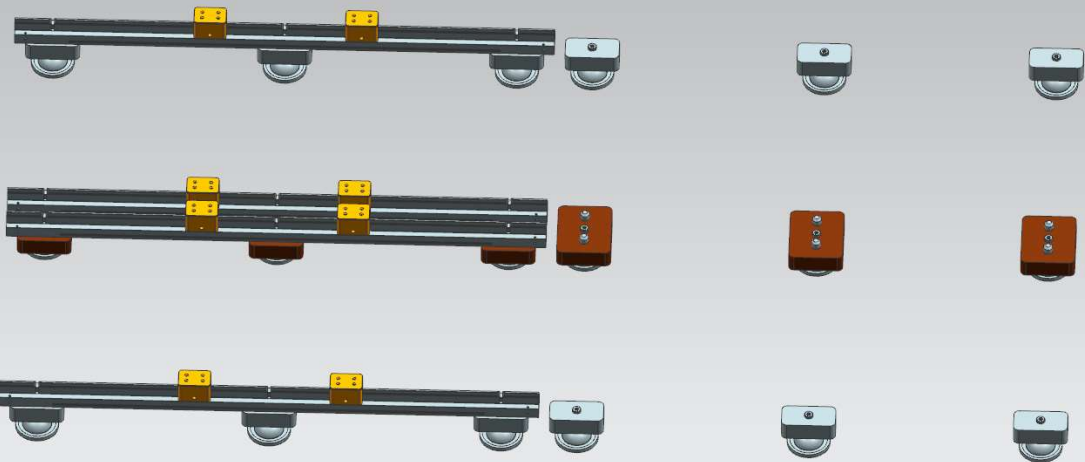


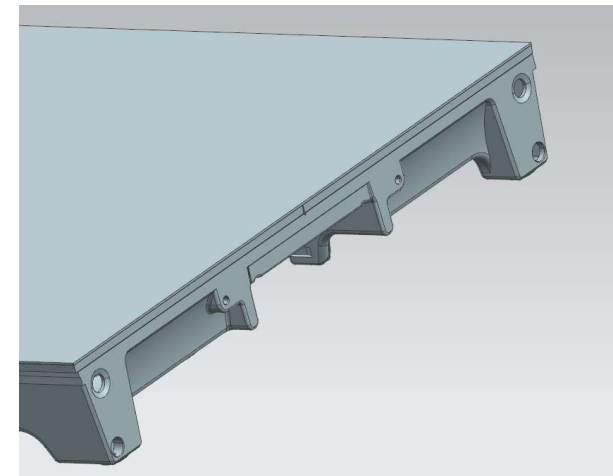
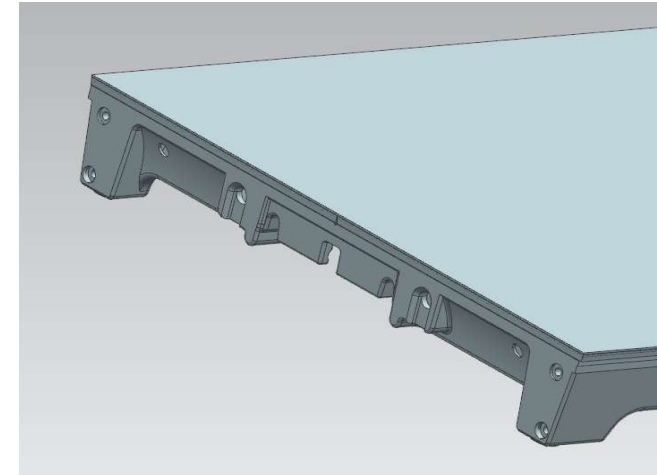
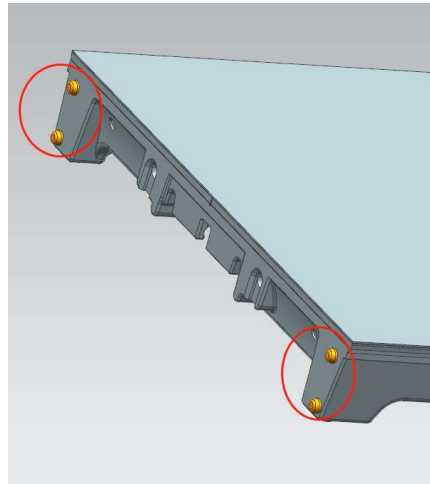
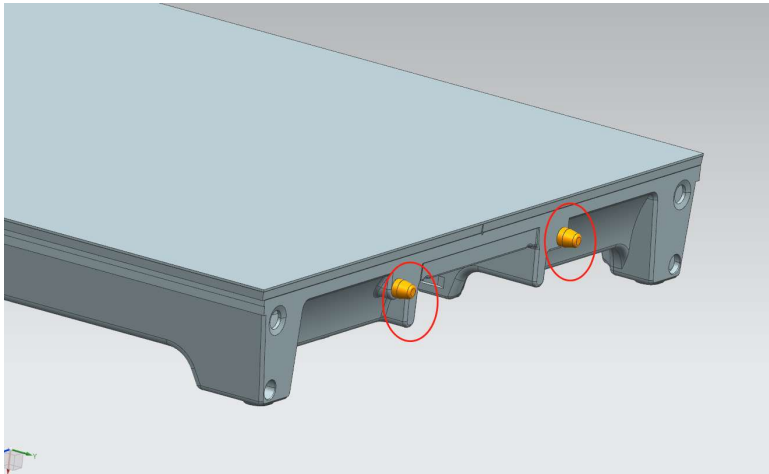
ACCESSORIES (4PCS)



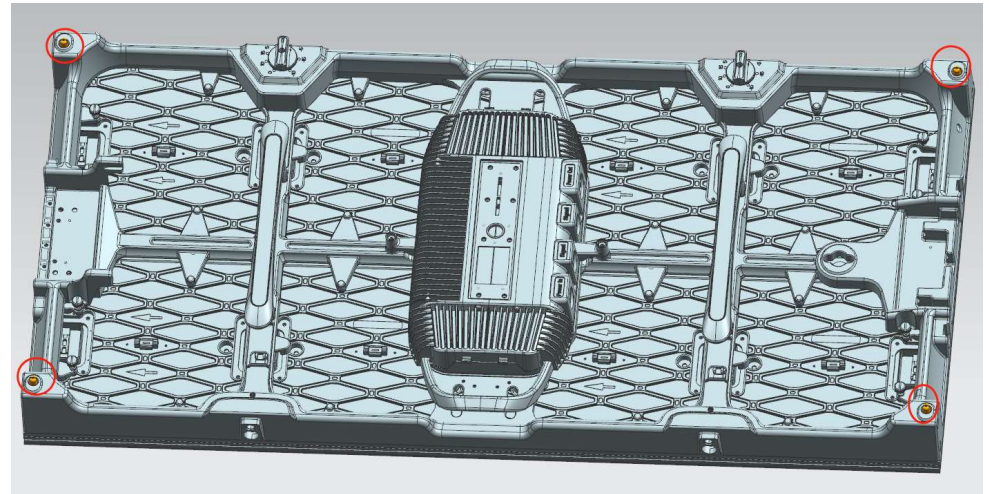
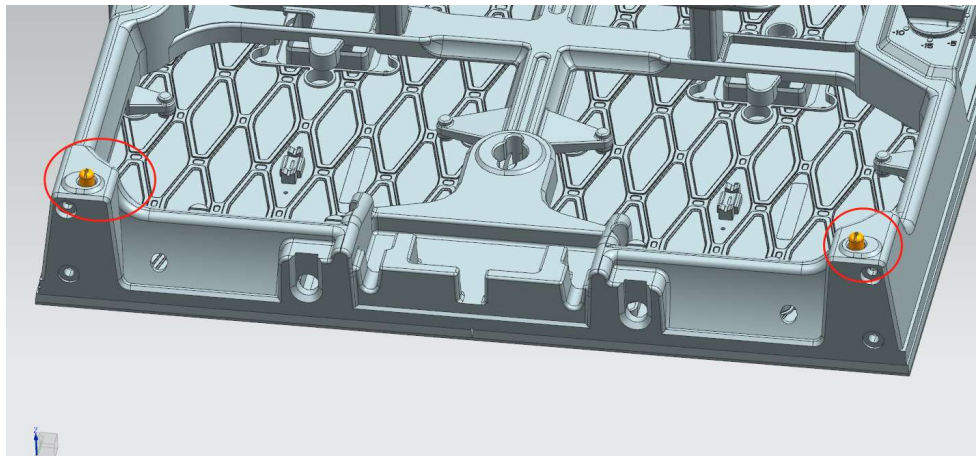
1. place the feet on the floor firstly
2. put the floor bar on the feet.



1. Use the plates to connect the floor bars

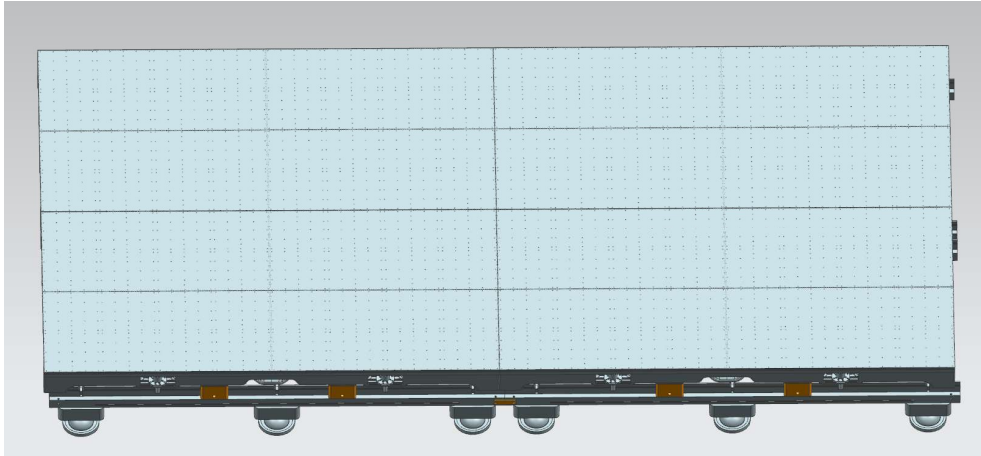
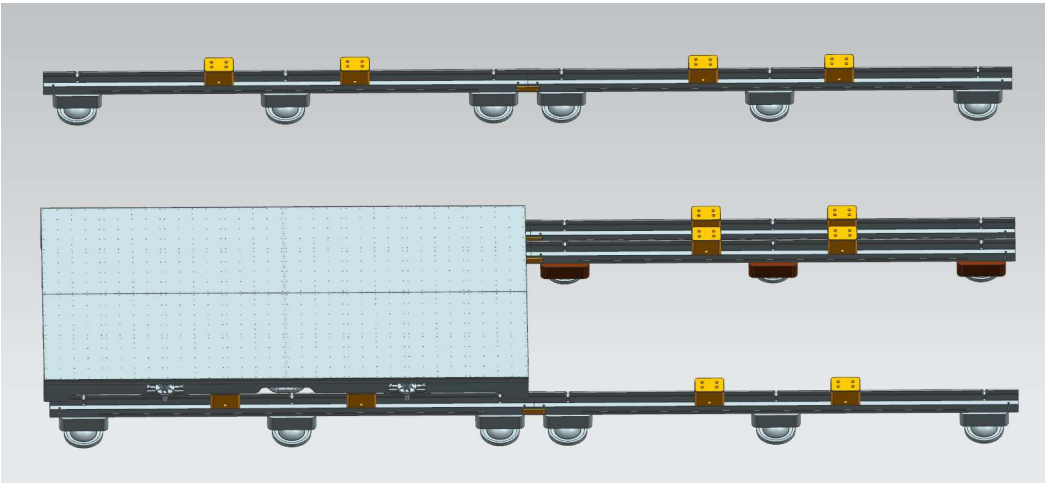


take out the pins from the bottom of the cabinets

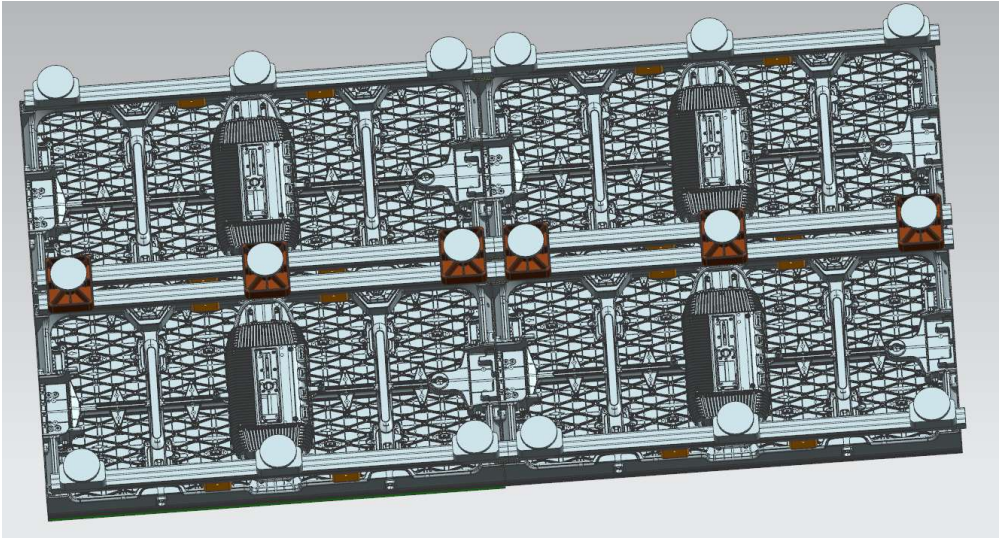


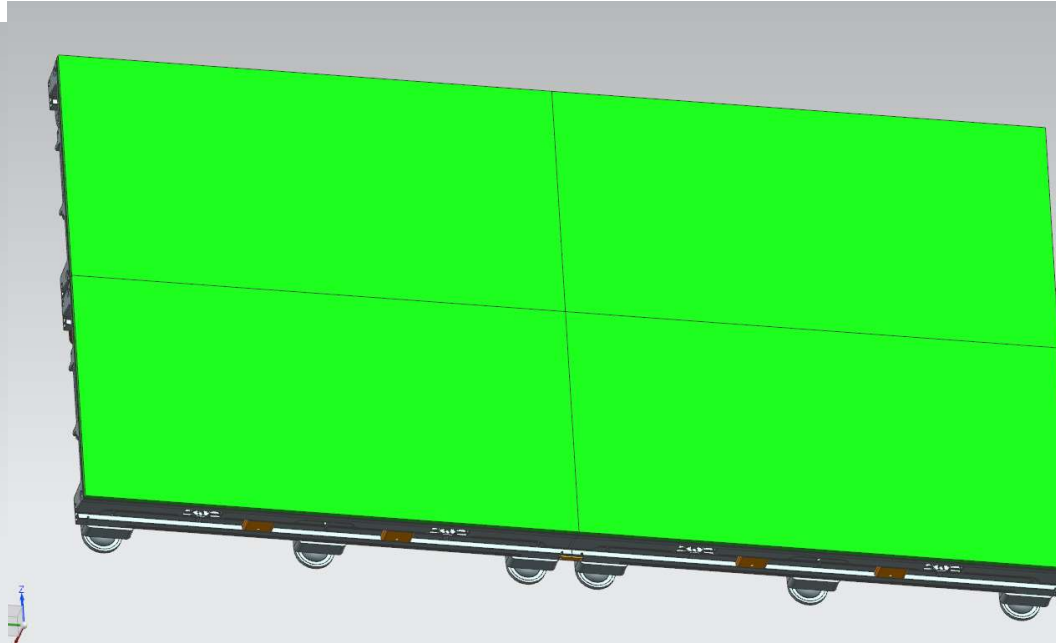
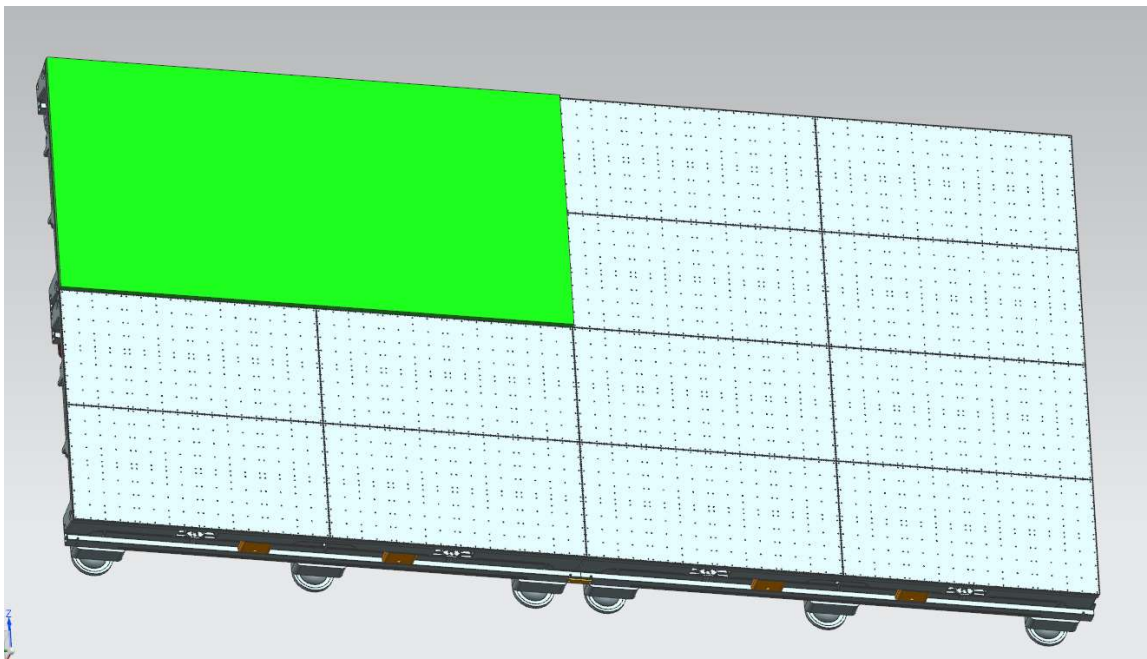
put the pins to the back of  
the cabinets





put the cabinets of the floor  
bar





place the glass on the cabinets