

## SUSPENDED FILL LIGHT

### Technical features

#### Operational Data

Power consumption	2500 W / 4000 W / 5000W
Supply voltage	120 - 240 V
Tilt adjustment	Individual for each compartment
Accessory Fitting	Two support rings to hold diffuser cone
Lamp access	After removal of wire mesh safety access guard 3mm x 3mm - 239.5 mm x 114.5 mm
Lamp holder	R7s
IP rating	IP 45°
Max operating ambient temperature	45°

#### Optical Data

Reflector	Reflectors with special anodised coating for high-efficiency finish
-----------	---

#### Mechanical Data

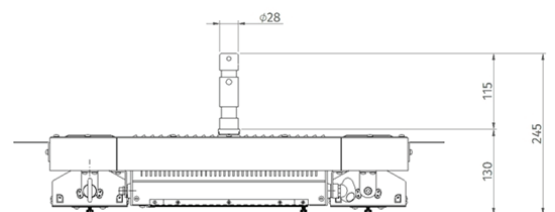
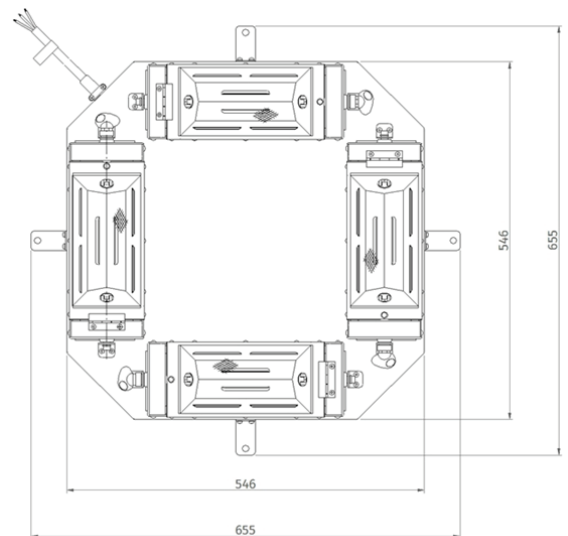
Finish	High-quality epoxy powder coating Special extra high-temperature treatment in critical areas External textured low gloss finish
Lamp housing	Formed sheet steel housing, lightweight and robust
Mounting	28mm (1 1/8") spigot for overhead suspension

#### Electrical

Cable/Switching	2m bare ended cable (no switch), 3 x 4mm <sup>2</sup> section cable
-----------------	---

#### Dimension

Weight (head stirrup)	13.0 kg
Packed volume	810 mm x 810mm x 300 mm



Technical specifications and data are provided for guidance only. Due to improvement in technology and/or in products, all product, specs and data are subject to change without notice. COSMOLIGHT accepts no liability for any errors, inaccuracies or incompleteness contained herein.

©2018, COSMOLIGHT. All rights reserved.  
Quartzcolor is a Cosmolight brand  
COSMOLIGHT SRL - ITALY  
quartzcolor.com

## SUSPENDED FILL LIGHT

### Specifications

#### Photometrics Data

Distance (m)	3	6	10
Lux	9,155	2,288	824
Beam (m)	6.8	13.6	22.6

#### Lamp Data

Lamp code	P2/12 1250W 230-240V
Base	R7s
Lumens	33,500
Correlated colour temperature	3200K

Lamp code	P2/7 1000W 230-240V
Base	R7s
Lumens	26,000
Correlated colour temperature	3200K

Lamp code	P2/10 625W 230-240V
Base	R7s
Lumens	16,900
Correlated colour temperature	3200K

#### Ordering Codes

27771 - Ghost 5kW suspended fill light 120-240V, supplied with wire mesh safety guard accessory on each compartment

Technical specifications and data are provided for guidance only. Due to improvement in technology and/or in products, all product, specs and data are subject to change without notice. COSMOLIGHT accepts no liability for any errors, inaccuracies or incompleteness contained herein.