

# DXS Series

## Powered Subwoofer



DXS18



DXS15



DXS12

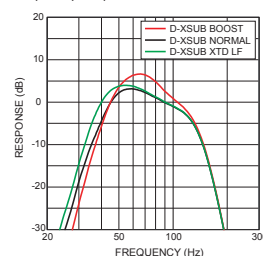
High output, compact powered subwoofers that match perfectly with DSR, DXR and DBR powered loudspeakers.

- Output levels up to 136dB SPL with 1020W Class-D power amplifier
- Low frequency extension down to 32Hz
- Optimized band-pass design produces high SPL with drastically reduced distortion
- Powerful D-XSUB DSP processing provides a choice of NORMAL, BOOST, or XTENDED LF settings to match a variety of applications
- Cardioid mode setting with two or more speakers reducing the SPL of bass directed towards the stage \*Only for DXS18
- Extensive DSP protection functions for maximum output
- Custom-designed high-power woofer with superior damping characteristics
- INPUT and THRU connectors for efficient, flexible system setup
- Universal switching-mode power supply for world-wide use
- Durable Wooden Enclosure with LINE-X Coating

### D-XSUB Bass Processing

Powerful D-XSUB processing gives you total control of low frequency. NORMAL mode gives you the ideally balanced low-frequency response, while BOOST mode provides a more tight and focused bass. XTENDED LF mode drops the low-end frequencies down even further for thunderous bottom end that delivers.

Frequency Response of DXS18



### OPTIONS

#### Functional Speaker Cover



SPCVR-18S01

Model	Compatible Speakers
SPCVR-0801	DXR8
SPCVR-1001	DXR10, DBR10, CBR10
SPCVR-1201	DXR12, DBR12, CBR12
SPCVR-1501	DXR15, DBR15, CBR15
SPCVR-12S01	DXS12
SPCVR-15S01	DXS15
SPCVR-18S01	DXS18

#### Wheel Kit

\*Only for DXS18 (SPW-1)



# DXS Series

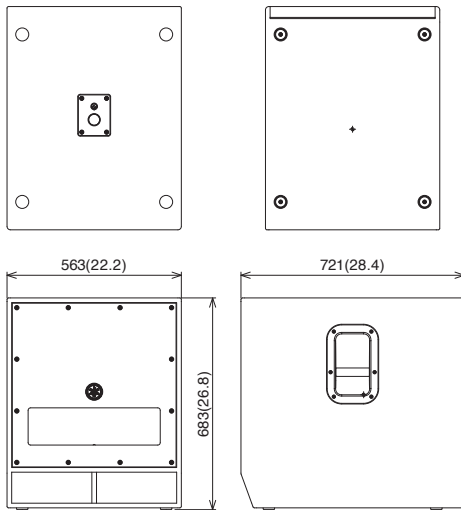
## GENERAL SPECIFICATIONS

Model	DXS18	DXS15	DXS12
<b>Speaker Type</b>	Powered subwoofer, Band-pass type		
<b>Frequency Range</b>	-10dB 32Hz - 120Hz	45Hz - 160Hz	47Hz - 160Hz
<b>Maximum SPL (1m; on axis)</b>	136dB SPL	132dB SPL	131dB SPL
<b>Components</b>	LF 18" cone, 4" voice coil	15" cone, 2.5" voice coil	12" cone, 2.5" voice coil
<b>Output Power</b>	<b>Dynamic</b> 1020W <b>Continuous</b> 800W	950W 600W	
<b>Connectors</b>	INPUT: XLR-3-31 x2, THRU: XLR3-32 x2(THROUGH or HPF POST)	INPUT: XLR-3-31 x2 , THRU: XLR3-32 x 2(Parallel with INPUT)	
<b>HPF/LPF</b>	80,100,120Hz 24dB/oct LPF		
<b>Processors</b>	D-XSUB: BOOST, XTD-LF, NORMAL CARDIOID	D-XSUB: BOOST, XTENDED-LF, OFF	
<b>Power Requirements</b>	100V - 240V, 50Hz/60Hz		
<b>Power Consumption</b>	100W	120W	
<b>Pole socket</b>	35mm (depth 80mm)&M20(threaded depth 25mm)	35mm (Top x1)	
<b>Dimensions (W x H x D)</b>	563 x 683 x 721mm (22.2" x 26.8" x 28.4")	478 x 618 x 624mm (18.8" x 24.3" x 24.5")	397 x 563 x 594mm (15.6" x 22.2" x 23.4")
<b>Weight</b>	49.7kg (110lbs)	38.0kg (83.8lbs)	33.0kg (72.8lbs)
<b>Material</b>	Plyood, LINE-X®, Black	Wood, LINE-X®, Black	

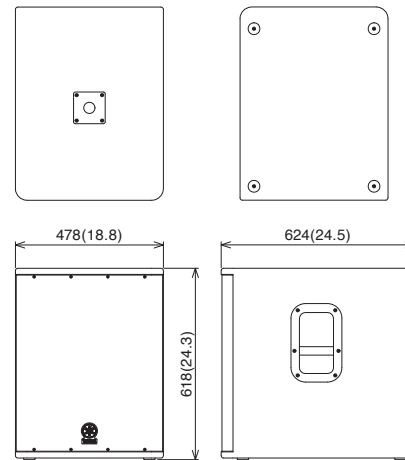
## DIMENSIONS

unit : mm (inch)

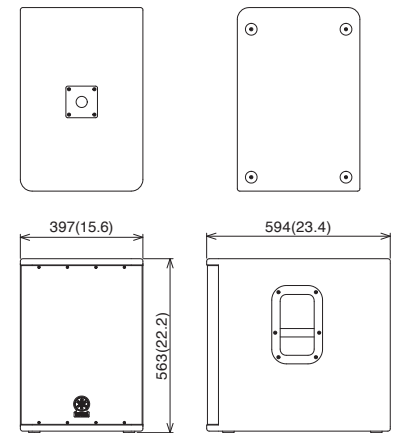
DXS18



DXS15

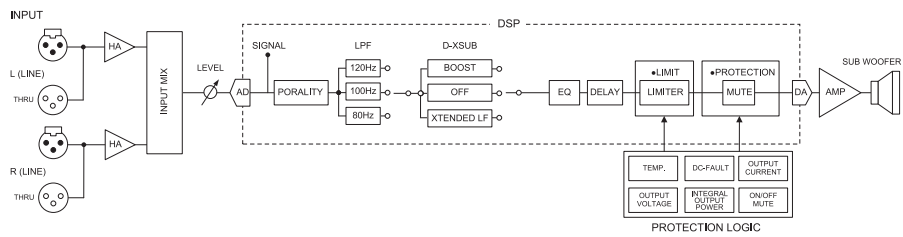
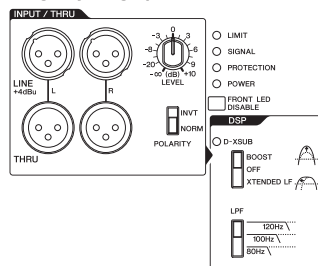


DXS12



## REAR PANELS & BLOCK DIAGRAMS

DXS12&DXS15



DXS18

