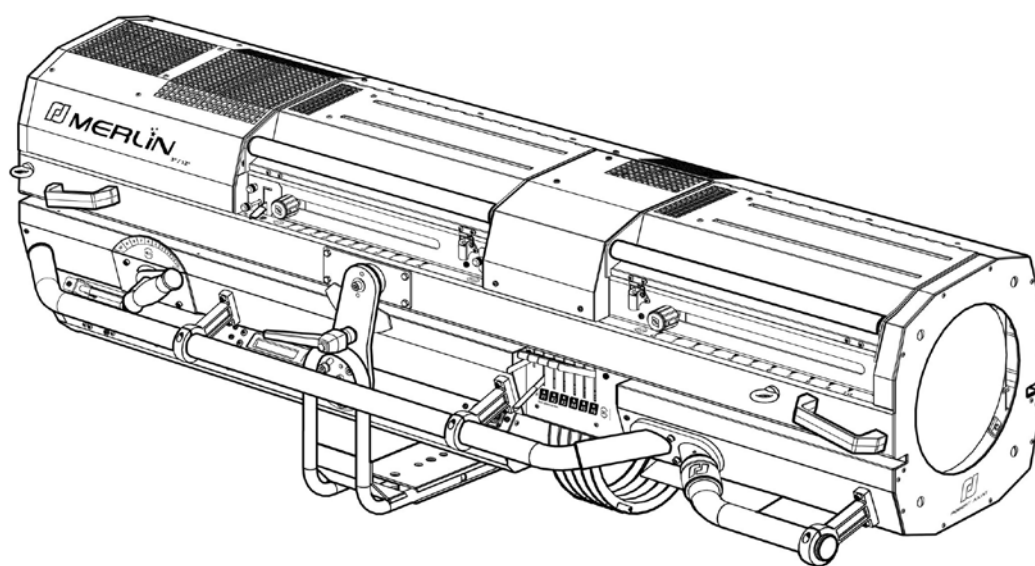


MERLIN

FOLLOWSPOT / PROJECTEUR DE POURSUITE



	Standard Standard	North American Nord-Américain
REF	1515	1515C

HMI 2500W FOLLOWSPOT / PROJECTEUR DE POURSUITE 2500W HMI

MERLIN - 1515 / C - Version V1 (v1-12 →)

VALIDATION: 13/06/2016

DN41076900-B



ROBERT JULIAT

Table of Contents

1	User's instructions	1
2	Presentation	2
2.1	Functions	2
2.2	Identification label	3
2.3	Accessories included	3
2.4	Optional accessories	4
3	Set-up	5
3.1	Mechanics	5
3.1.1	Operating positions	5
3.1.2	Minimum distance between a flammable material and the lighting unit	5
3.1.3	Instructions for use	5
3.1.4	Handling	5
3.1.5	Lifting	5
3.1.6	Stand set-up	6
3.1.7	Safety cable	6
3.1.8	Adjustable counterweight inside the followspot	6
3.2	Lamp	7
3.2.1	Compatible lamp	7
3.2.2	Lamp installation	7
3.3	Electrical data	8
3.3.1	Power Supply Unit (PSU)	8
3.3.2	Data	9
4	Operations	11
4.1	Mechanics	11
4.1.1	Dimmer	11
4.1.1.1	Range	11
4.1.1.2	Control	11
4.1.2	Zoom & Focus	11
4.1.2.1	Range	11
4.1.2.2	Control	12
4.1.3	Pan / Tilt	12
4.1.3.1	Range	12
4.1.3.2	Control	12
4.1.4	Iris	13
4.1.4.1	Range	13
4.1.4.2	Control	13
4.1.5	Chopper	13
4.1.5.1	Range	13
4.1.5.2	Control	13
4.1.6	Gobo	14
4.1.6.1	Gobo size	14
4.1.6.2	Control & Installation	14
4.1.7	Colour	14
4.1.7.1	Range	14
4.2	Control	15
4.2.1	Display and Controls	15
4.2.2	Menus and parameters	15
4.2.3	Menus and parameters for DMX dimmer option	24
4.2.4	DMX Chart	25
5	Service	26
5.1	Preventative maintenance	26
5.1.1	Frequency	26
5.1.2	General cleaning	26
5.1.3	General visual check	26
5.1.4	Optics	26
5.1.5	Removing the Power Supply Unit (PSU)	26
5.2	Analysis	27
5.3	Thermal protection	27
5.4	Exploded view / Spare parts list	27
6	Troubleshooting	28
6.1	General information	28
6.2	Error message screens	28
7	RDM	36
7.1	RDM - What is it?	36
7.2	RDM requirements	36
7.3	RDM function list	36

1 User's instructions

GENERAL INSTRUCTIONS

1. Not for residential use.
2. These fixtures must only be serviced by a qualified technician.
3. In addition to the instructions indicated on this page, relevant health and safety requirements of the appropriate EU Directives must be adhered to at all times.
4. This fixture is in compliance with section 17 – Lighting appliance for theatre stages, television, cinema and photograph studios. Standards NF EN 60598-1 and NF EN 60598-2-17.
5. This fixture is rated as IP20.

FIXTURE

6. Warning: disconnect from mains supply before servicing.
7. Ensure fixture is correctly mounted on an appropriate support.
8. Protection screens, lenses and filters must be replaced in the event of any damage, such as cracks or deep scratches, as these might reduce performance.
9. When hung or flown the fixture must be secured by an additional hanging accessory (such as a safety cable or bond) of suitable length.
10. Safety bonds or cables must be securely attached to the back of the fixture and be as short as possible, or rolled up as necessary, to minimise travel distance should the fixture be dislodged.
11. Movable accessories must also be secured with a suitable safety cable or bond at the front of the fixture.
12. The combined weight of both the fixture and the accessories must be considered when choosing the load-bearing capability of safety cable or bond.
13. Do not open lighting fixture when the lamp is ignited.
14. Warning: Both lamp and lamp housing become hot during use. Allow fixture to cool before servicing
15. Do not tamper with design of fixture nor any of its safety features.
16. Tighten electrical mains cable connections regularly and replace with one of identical specification if damaged.

VENTILATION

17. Keep well away from flammable material.
18. Not for outdoor use. Do not cover. Do not permit fixture to get wet.
19. To avoid overheating, do not obstruct air vents.
20. Ensure all cooling fans are in correct working order. If fans are not working, turn fixture off immediately and service as necessary.

LAMP

21. Check that the lamp voltage corresponds to the mains voltage used.
22. Only use a lamp of type and voltage indicated on lamp housing or packaging.
23. Replaced lamp if damaged or deformed by heat.
24. Ensure lamp is correctly fitted before use.

CLEANING

25. Do not touch the lamp and inner parts with bare fingers.
26. Clean all optical parts (lenses, lamps, etc.) with alcohol-based cleaner.
27. Regularly remove dust from mirror with a soft, clean cloth.
28. Clean all filters regularly.

POWER SUPPLY

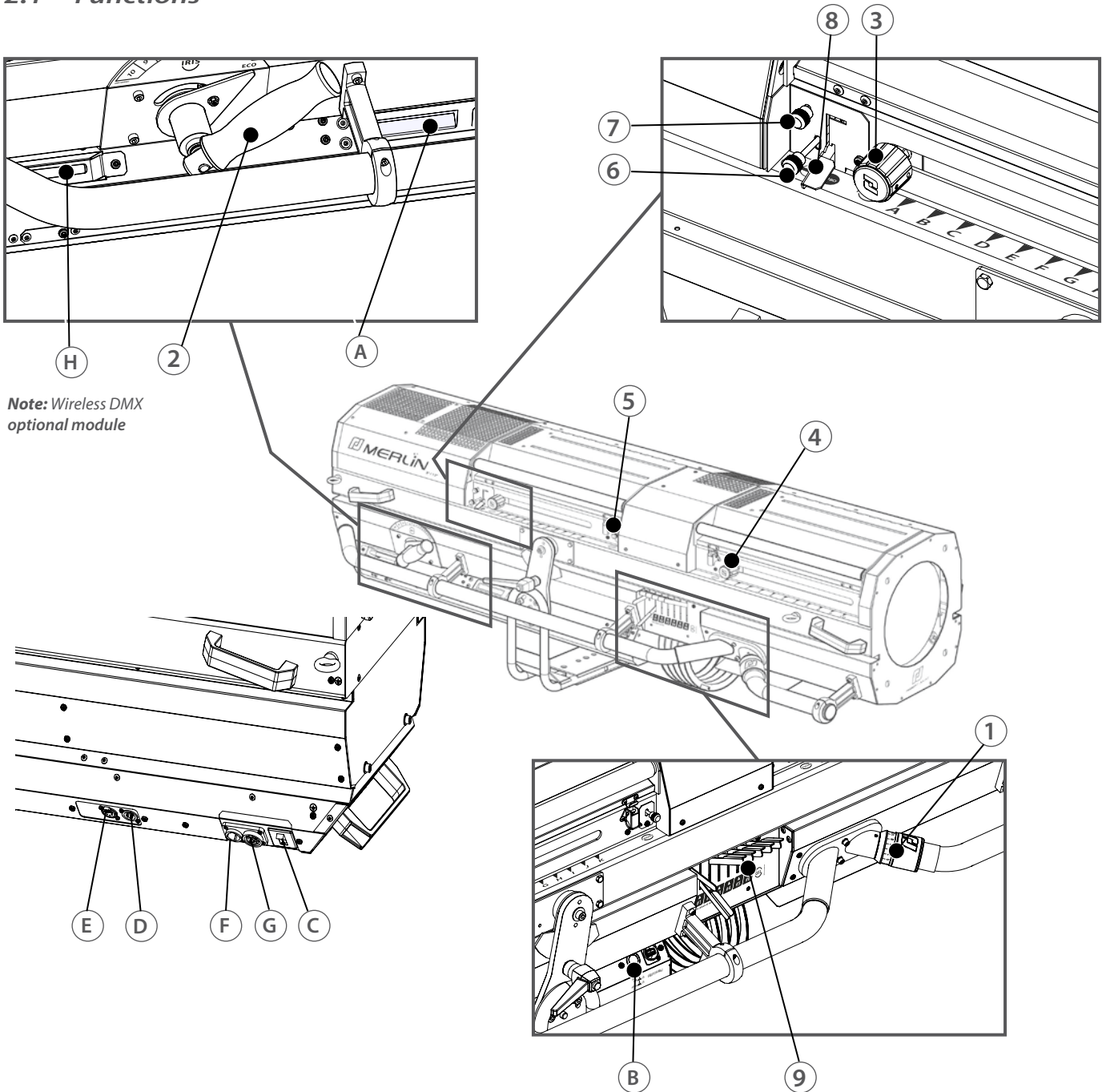
29. Disconnect from the mains before servicing.
30. Mains connection only. Do not connect to "electronic output" such as dimmer.
31. Not for outdoor use. Do not cover.
32. Ensure power supply circuit breakers always remain accessible.

PLEASE NOTE

These products have been built to conform to European standards relating to professional lighting equipment. Any modification made to our products will void the manufacturers' warranty.

2 Presentation

2.1 Functions



Note: Wireless DMX optional module

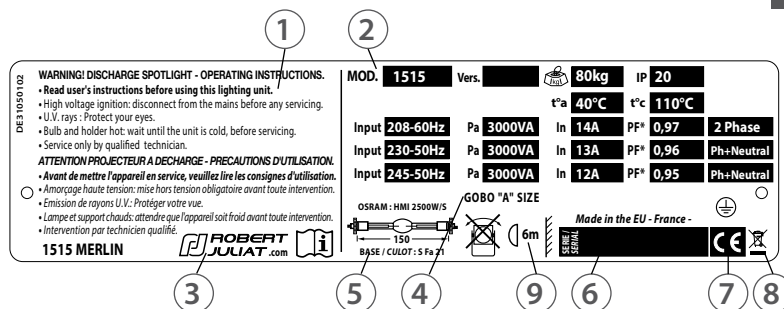
Functions

- | | |
|----------------------------------|----------------------------------|
| 1. Dimmer/Shutter | A. Display screen |
| 2. Iris | B. ON/OFF Lamp & Eco Mode button |
| 3. Focus | C. Main switch |
| 4. Zoom | D. DMX In |
| 5. Frost | E. DMX Out |
| 6. Horizontal chopper | F. Main socket PowerCON TRUE-1 |
| 7. Vertical chopper | G. Auxiliary socket (max 3A) |
| 8. Gobo holder | H. Wireless DMX slot |
| 9. Boomerang colour changer unit | |

2.2 Identification label

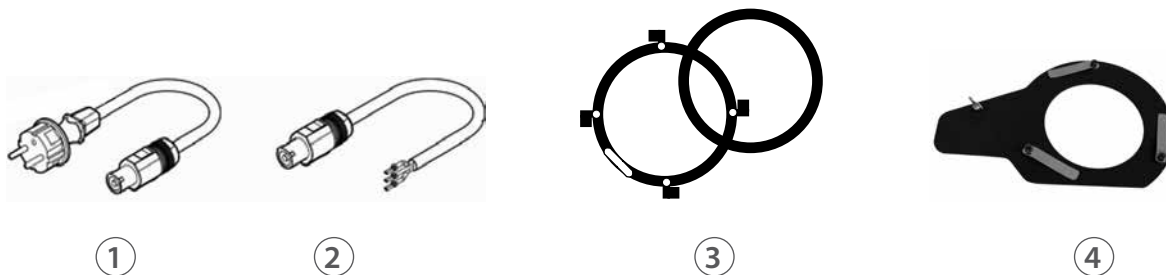
Units :

- Dimensions = metre (m) millimetre (mm).
- Weight = kilogram (kg).
- Intensity = Ampere (A).
- Voltage = Volt (V).
- Frequency = Hertz (Hz).
- Temperature = degree Celsius (°C).



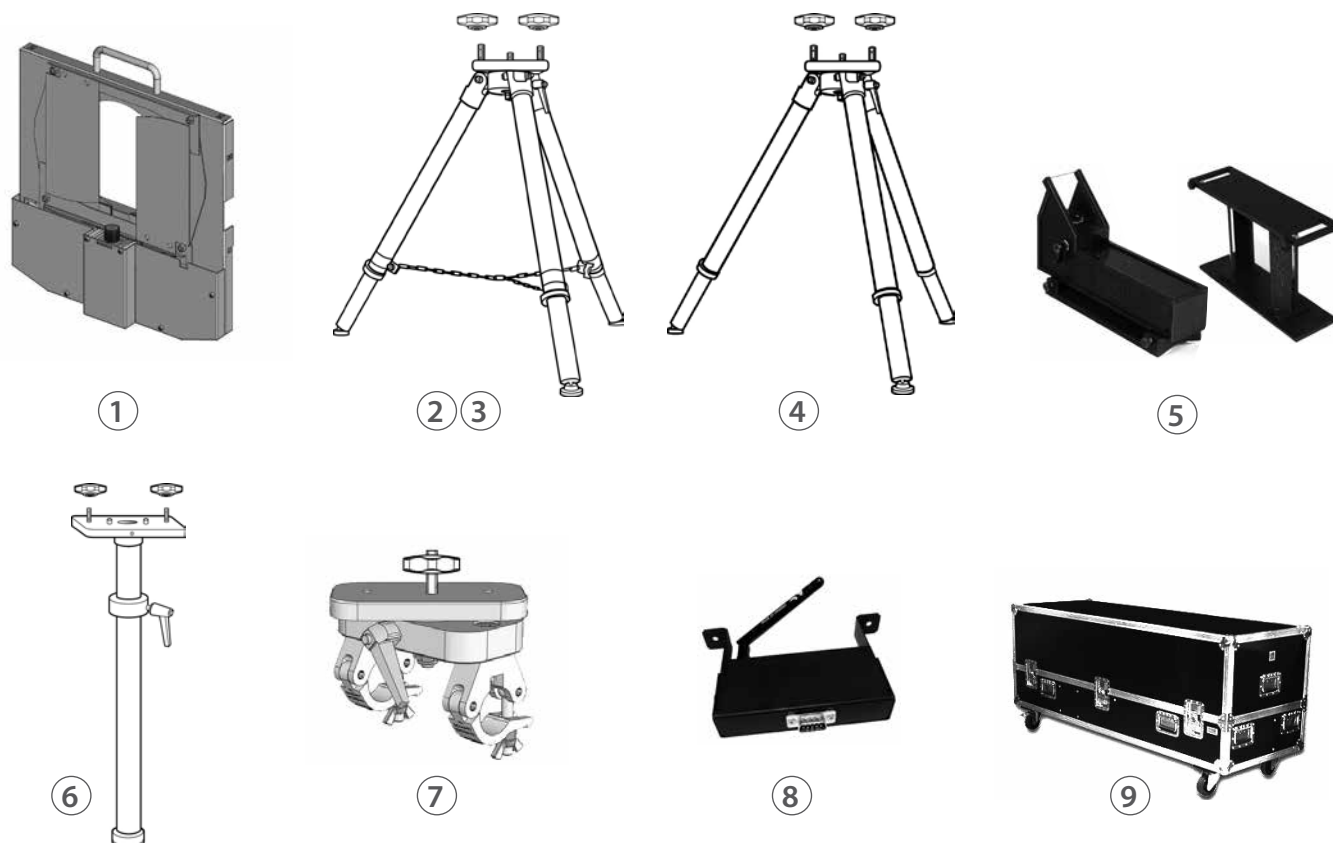
Description	
<p>1 User's instructions.</p> <p>2 Power supply reference & technical characteristics :</p> <ul style="list-style-type: none"> - MOD. = Model. - VERS. = Version. <p> - Net weight.</p> <ul style="list-style-type: none"> - IP = International protection rating. - t°a = Maximum ambient temperature (°C). - t°C = Maximum external temperature of the unit (°C). 	<ul style="list-style-type: none"> - Pa = Power absorbed. - In = Nominal intensity. - PF = Power Factor correction <p>3 Logo, manufacturer's name and origin of the product.</p> <p>4 Gobo size = "A".</p> <p>5 Lamp reference.</p> <p>6 Serial number.</p> <p>7 European conformity.</p> <p>8 WEEE directive label.</p> <p>9 Minimum distance between a flammable material and the followspot.</p>

2.3 Accessories included



	Reference	Description
1	FJUC000112	Power cable with CEE 7/7 type in connectors (standard version)
2	FJUC000113	UL/CSA power cable without connector (North-American version)
3	PF1011	Ø210 mm metal filter holder
4	SGUM	Universal "A" size gobo holder (metal or glass)

2.4 Optional accessories



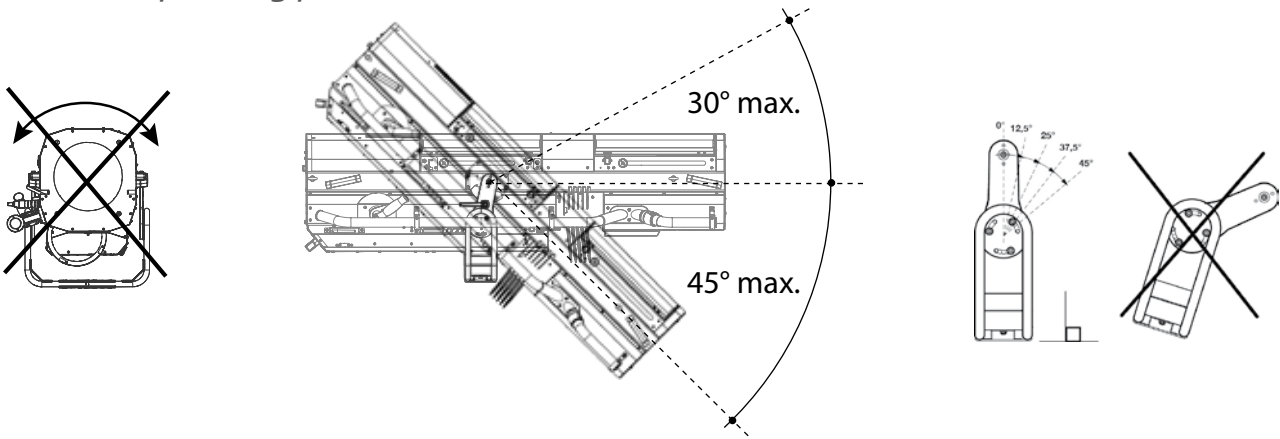
	Reference	Description
1	MOMM	Motorised dimming shutter module
2	GT4000	Tripod stand with safety chain - SWL: 130 kg max. height 1030 mm
3	GT4000R	Tripod stand with ball bearing head rotation with safety chain - SWL: 130 kg max. height 1030 mm
4	GT4000S	Tripod stand without safety chain - SWL: 130 kg max. height 1030 mm
5	TELRAD	Telrad followspot sight with riser
6	JPP	Monopod stand for overhead followspot
7	T4000	Followspot mount for 50 mm diam. pipe (suspension or overhead) - SWL: 100 kg
8	Kit W-DMX/M	W-DMX Wireless DMX
9	FC30000020	Transport Flight Case

3 Set-up

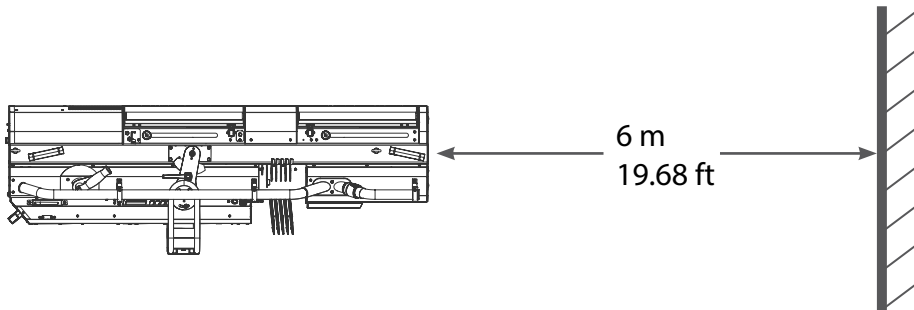


3.1 Mechanics

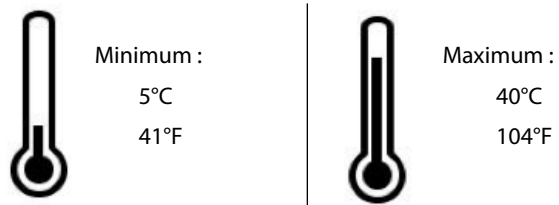
3.1.1 Operating positions



3.1.2 Minimum distance between a flammable material and the lighting unit



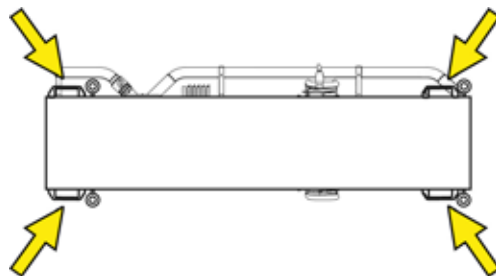
3.1.3 Instructions for use



IP20 - Indoor use only

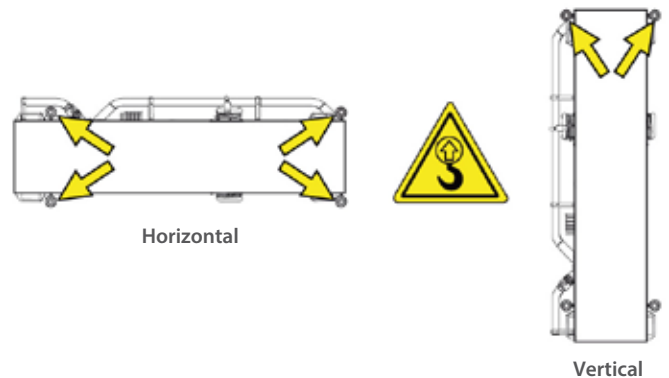
3.1.4 Handling

- Net weight: 80 Kg (176.37 lbs).



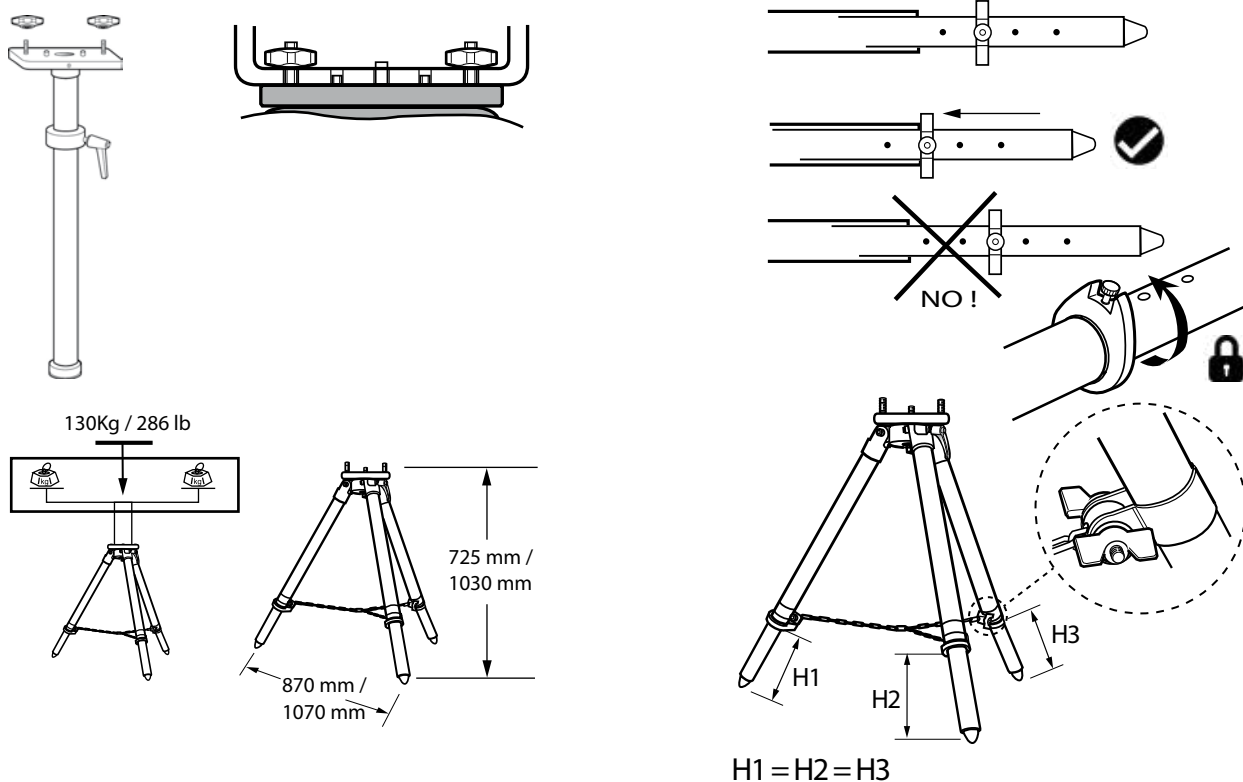
3.1.5 Lifting

In accordance with existing regulations, the appropriate means and process should be used and respected when lifting the followspot.



3.1.6 Stand set-up

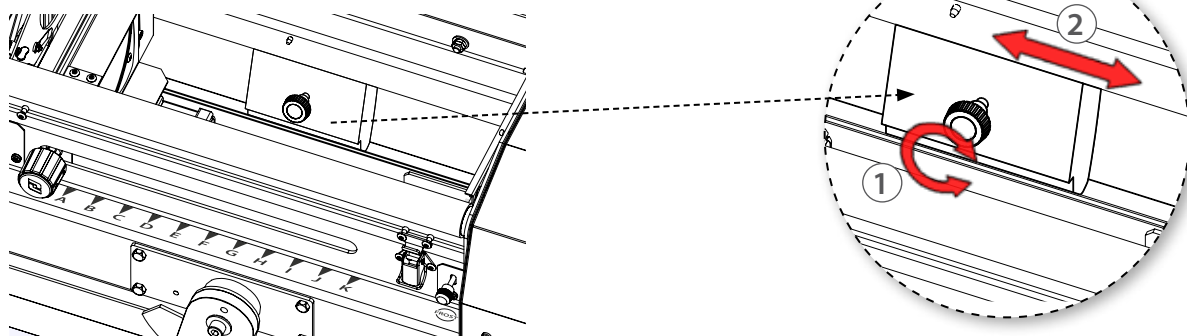
- Compatible stands : GT4000, GT4000R, GT4000S & JPP.



3.1.7 Safety cable

- The combined weight of both the fixture and the accessories must be considered when choosing the load-bearing capability of safety cable or bond.
- Safety cables or bonds must be securely attached to the safety eye-bolts and be as short as possible, or rolled up as necessary, to minimise travel distance.

3.1.8 Adjustable counterweight inside the followspot



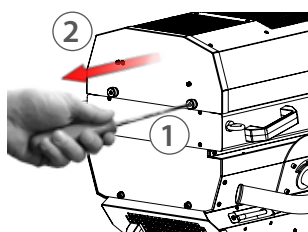
3.2 Lamp

3.2.1 Compatible lamp

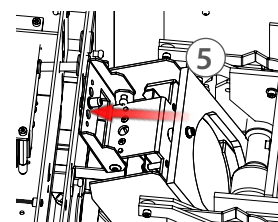
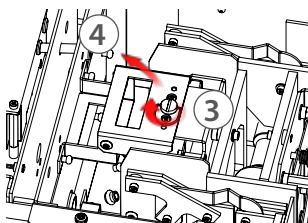
Compatible lamp							
Model	NAED Code	Socket	Voltage	Power	Lumen output	Colour Temperature	Lamp life
OSRAM HMI 2500W/S XS	54068-3	SFa 21-12	115 V	2500 W	240 000 lm	6 000 K	500 h

3.2.2 Lamp installation

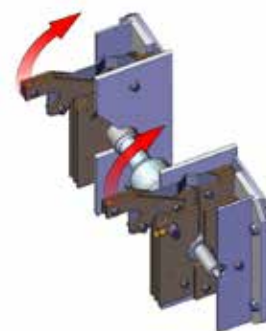
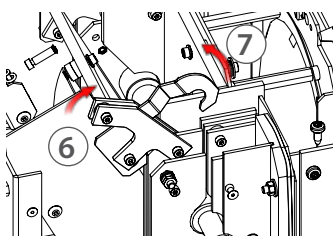
- Unlock the security screws ① & ②



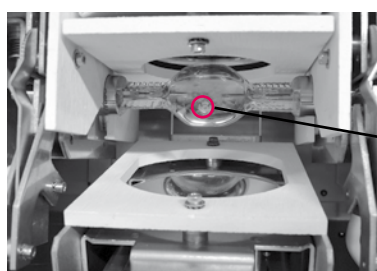
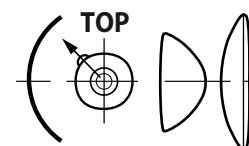
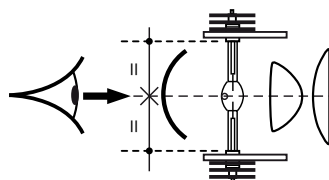
- Rotate the reflector holder ③ & ④



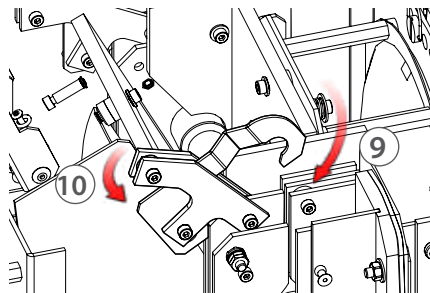
- Unlock the jaws ⑥ by pushing upwards ⑦



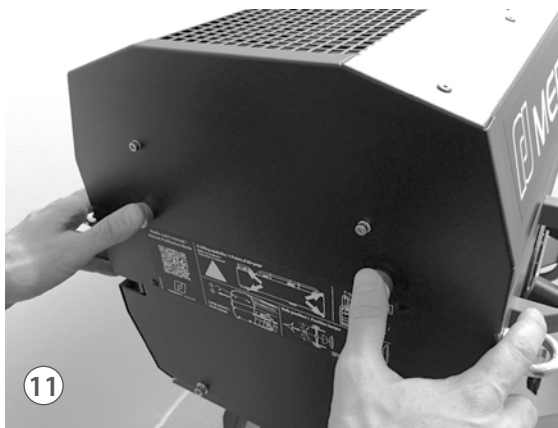
- Install and center the lamp ⑧



- Relock the jaws




- Relock the lamp cover into place by pushing the security bolts

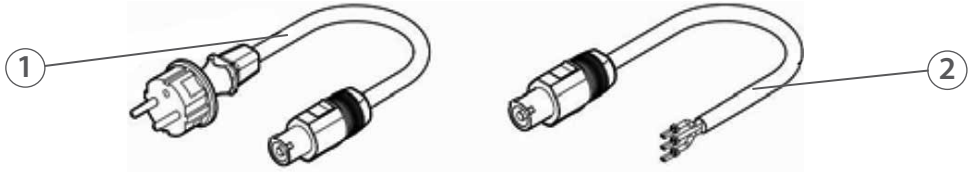


3.3 Electrical data

3.3.1 Power Supply Unit (PSU)

Power supply			
Voltage	Frequency	Input power	Connectors
195 —> 265 V	50-60 Hz	12 A / 3000 VA @ 230V 13 A / 3000 VA @ 245V 14 A / 3000 VA @ 208V Max. 16 A Standby mode: 30 W	Neutrik powerCON TRUE1 ref. NAC3PX (max. 20A)
 <ul style="list-style-type: none"> • Class 1 product. This luminaire must be earthed. • Must be connected directly to AC power. Do not connect to dimmer power. • Automatic power detection. • Thermal breaker switch : 20A. • Auxiliary power : Max 3A. • USB power : Max 5V (1A). 			

Power cable



Power cable		Connector	Mains plug	Cable type	Cable length	Wiring
1	Standard version	Neutrik® powerCON TRUE1 NAC3FX	CEE7/7	3G1.5 H07RNF	3 m 9.8 ft	Live: Brown Neutral: Blue Ground: Yellow/Green
2	North American version		-	14AWG SJ TYPE (UL/CSA)	1.5 m 4.9 ft	Live: Black Neutral: White Ground: Green



3.3.2 Data

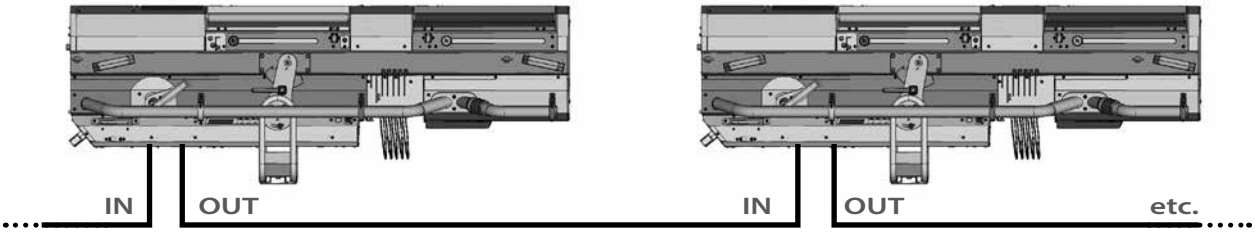
DATA

Protocol	Input connector	Output connector
USITT DMX 512-A	XLR 5-pin	XLR 5-pin

DATA connectors

PIN #	DMX	Description	
1	Shielding	Foil & Braided Shield	
2	DMX (-)	1 st conductor of 1 st twisted pair	
3	DMX (+)	2 nd conductor of 1 st twisted pair	
4	Not used	1 st conductor of 2 nd twisted pair	
5	Not used	2 nd conductor of 2 nd twisted pair	

Daisy chain:

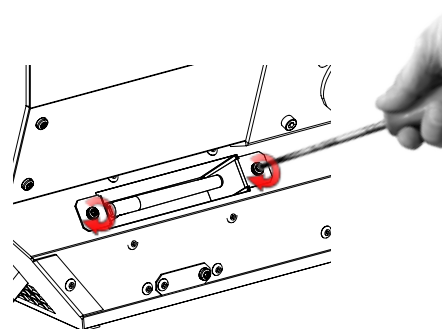
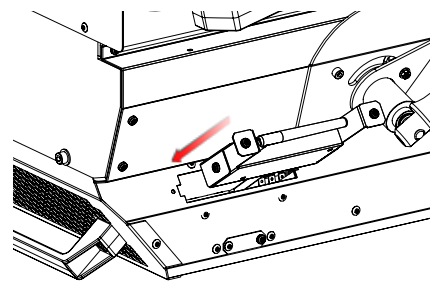


Integrated terminal plug:

If no XLR connector is detected on DMX OUT connector, a 120Ω terminal plug is automatically activated. Additional terminal plug on the last unit is not necessary.

Wireless DMX option

- Protocol: Wireless Solution W-DMX™
- Refer to the OEM User's manual for general recommendations and use of the transmitter: <http://www.wirelessdmx.com>
- The antenna must be clearly visible from the transmitter
- See *MENU* for activation
- **Do not connect a DMX IN data cable in case of wireless DMX use**
- In case of protocol errors, the wireless DMX is automatically deactivated. To activate the wireless DMX again, disconnect the DMX IN data cable, and then switch the unit off and on.
- Installation: Remove the power supply from the followspot head. Insert the W-DMX module into the slot. Reconnect the power supply unit.

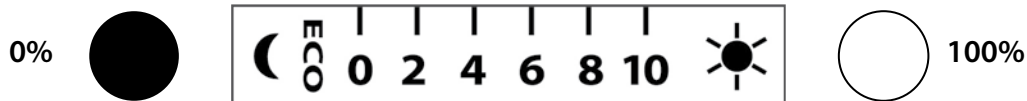


4.1 Mechanics

4.1.1 Dimmer

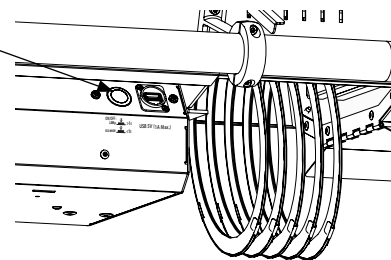
4.1.1.1 Range

• Dimming

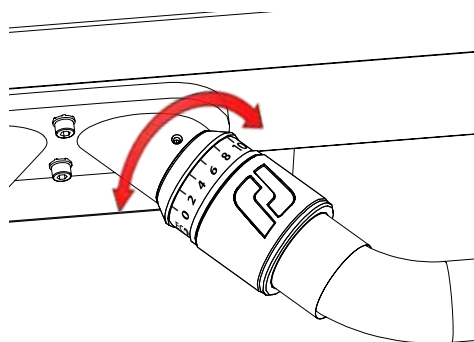


• **Eco-Mode** : the "ECO" sign on the dimmer enables the Eco-Mode function:

- Starts the countdown (3 or 15 minutes) before the ballast douses at half power
- Allows the "ON/OFF" push button to manually activate the ballast to douse at half power

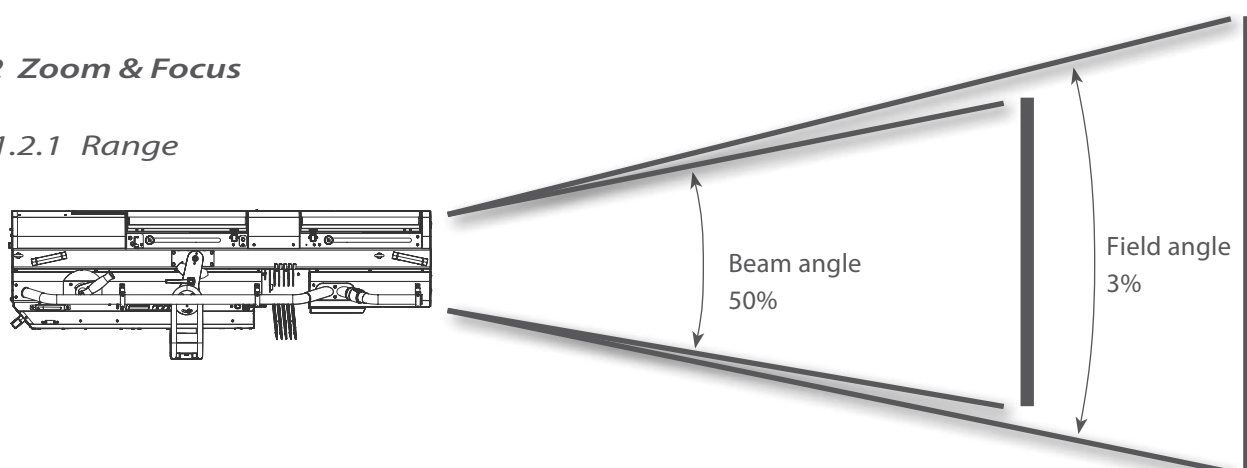


4.1.1.2 Control



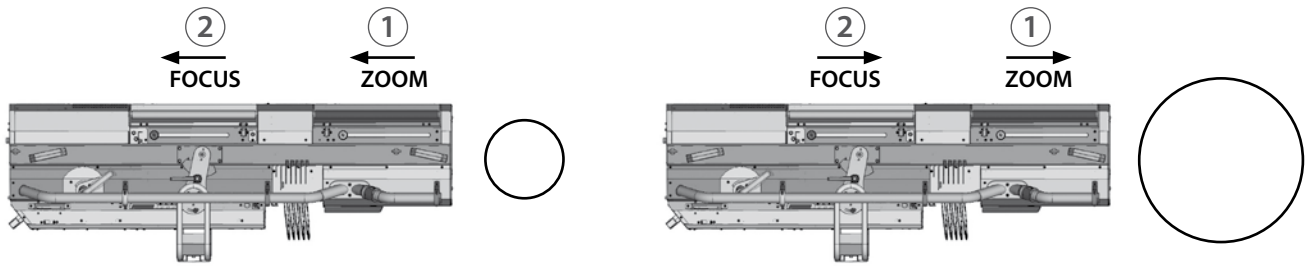
4.1.2 Zoom & Focus

4.1.2.1 Range



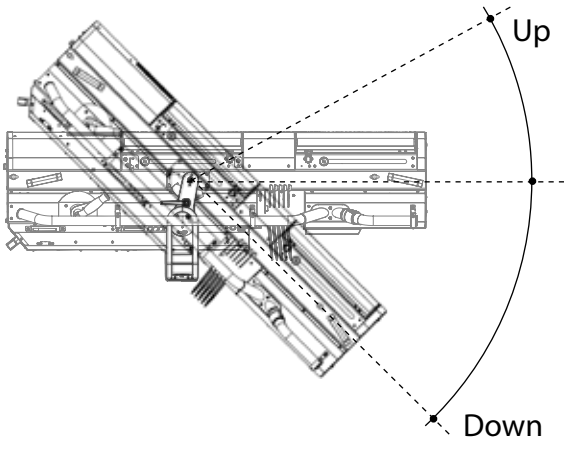
Model	Angles	Minimum angle	Maximum angle
1515	Beam angle	3.4°	10.6°
	Field angle	3.5°	12.1°

4.1.2.2 Control

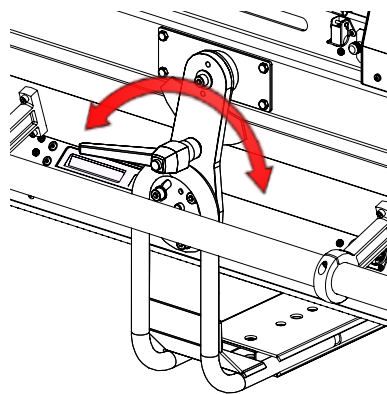


4.1.3 Pan / Tilt

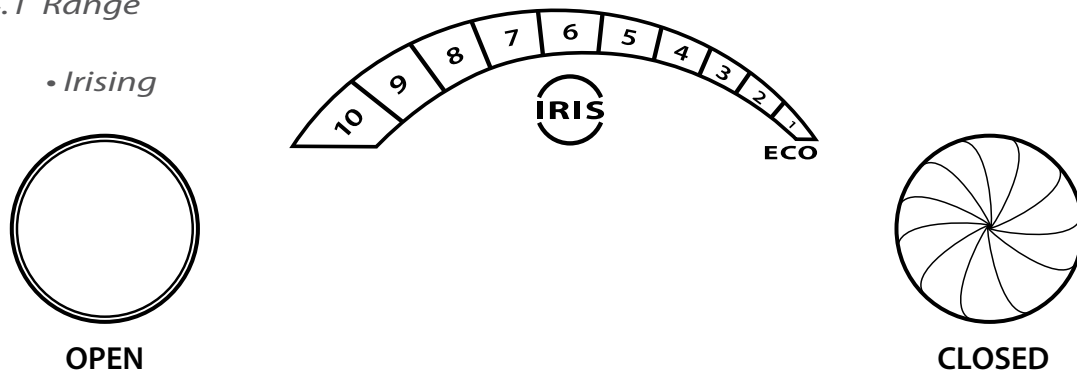
4.1.3.1 Range

Function	Range
PAN	0 → 360°
TILT	 <p>Tilt up = 0 → 30° Tilt down = 0 → 45°</p>

4.1.3.2 Control

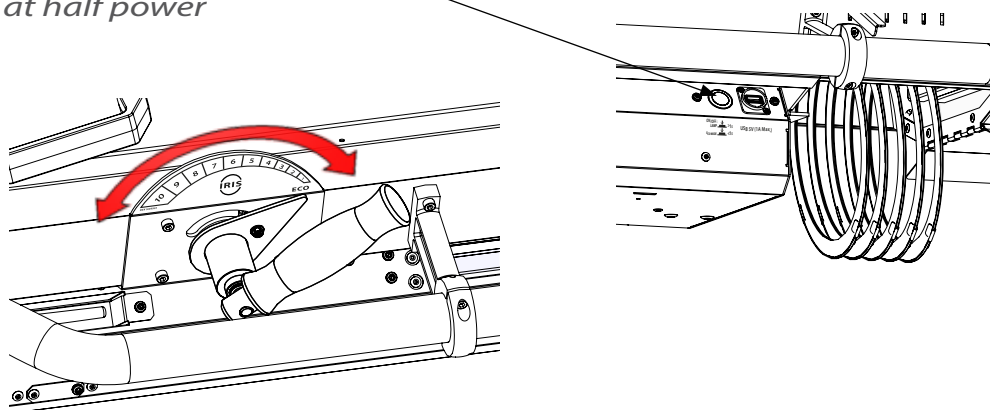


4.1.4.1 Range



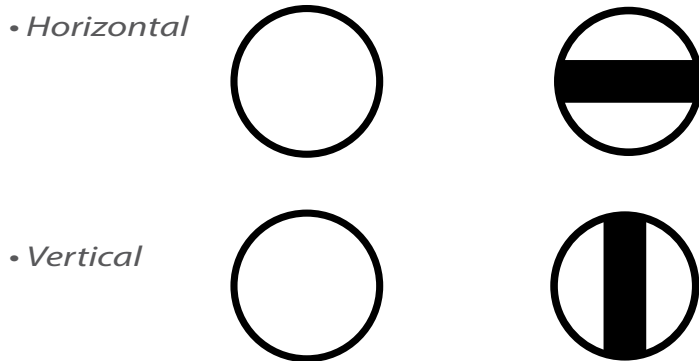
- **Eco-Mode** : the "ECO" sign on the iris enables the Eco-Mode function:
 - Starts the countdown (3 or 15 minutes) before the ballast douses at half power
 - Allows the "ON/OFF" push button to manually activate the ballast to douse at half power

4.1.4.2 Control

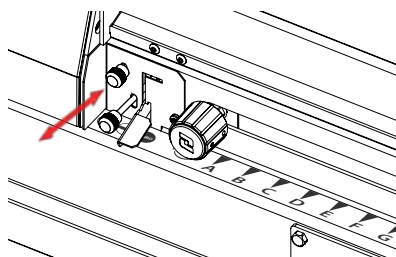


4.1.5 Chopper

4.1.5.1 Range

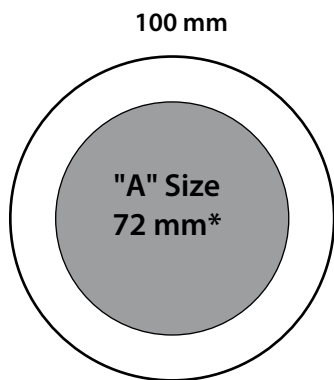


4.1.5.2 Control



4.1.6 Gobo

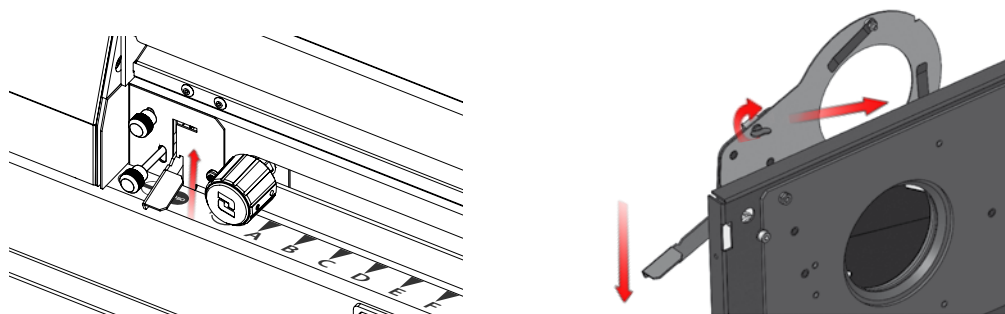
4.1.6.1 Gobo size



Metal & Glass

(*) Maximum image size

4.1.6.2 Control & Installation



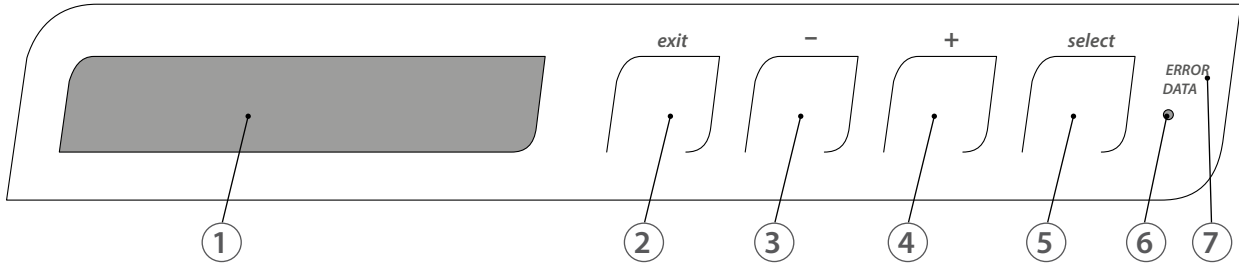
4.1.7 Colour

• Fixed colour: place dark colours towards the rear.

4.1.7.1 Range

Type	Standard coloured gel filter
<p>Dimension 210 mm</p>	<p>Installation : push firmly until clicked into position.</p>

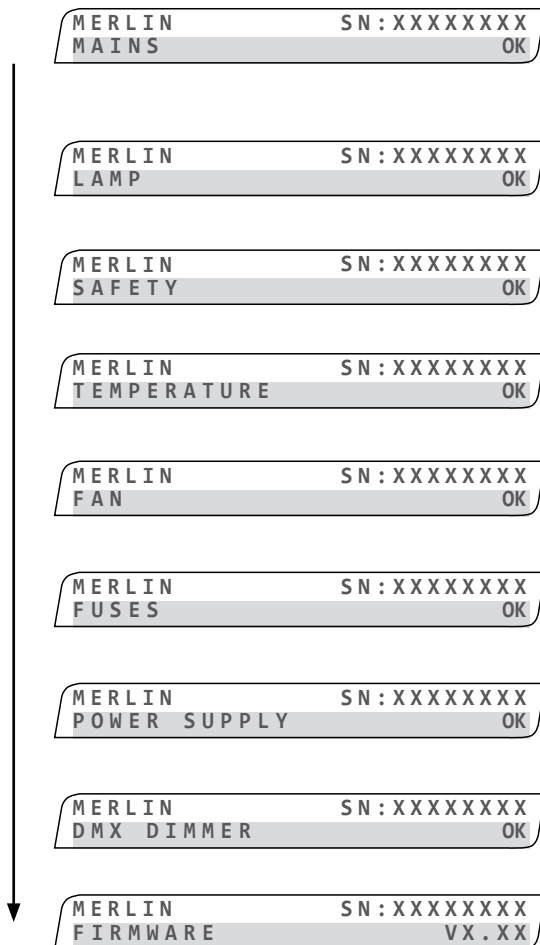
4.2.1 Display and Controls



Function	
1	LCD display
2	Exit the current menu / page
3	Scrolls through menus and/or Decrease blinking data value
4	Scrolls through menus and/or Increase blinking data value
5	Enter the current menu option and/or validate
6	NA
7	DMX and system LED feedback

4.2.2 Menus and parameters¹

Initialisation screens (@ start-up)



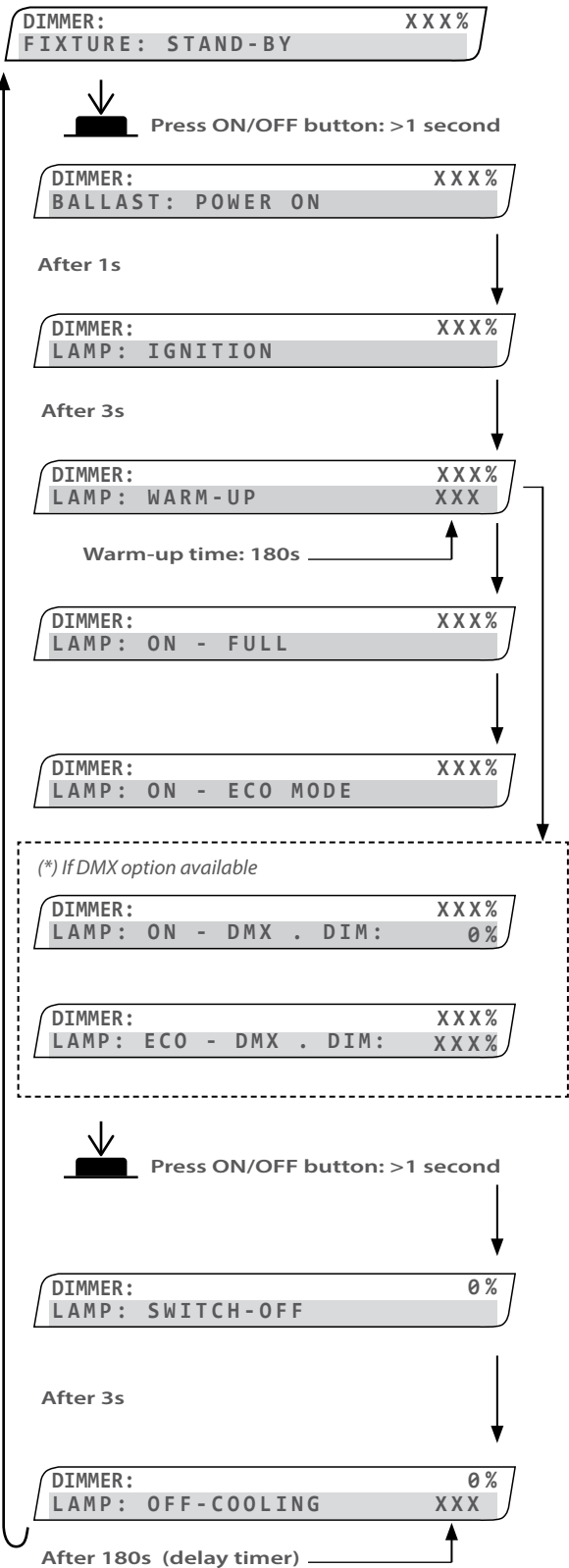
When followspot is turned on:

Initialisation screens (brief display)

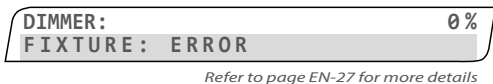
Name	MERLIN
SN	Serial number
MAINS	Mains voltage status
LAMP	Lamp status
SAFETY	Safety & thermal switches status
TEMPERATURE	All temperature sensors status
FAN	All working fans status
FUSES	Fuses status
POWER SUPPLY	Internal power supply status
DMX DIMMER	Dimmer status
FIRMWARE	Firmware version

¹ With factory settings

Level 0 - FIXTURE Stand-by



Level 0 - FIXTURE ERROR



Refer to page EN-27 for more details

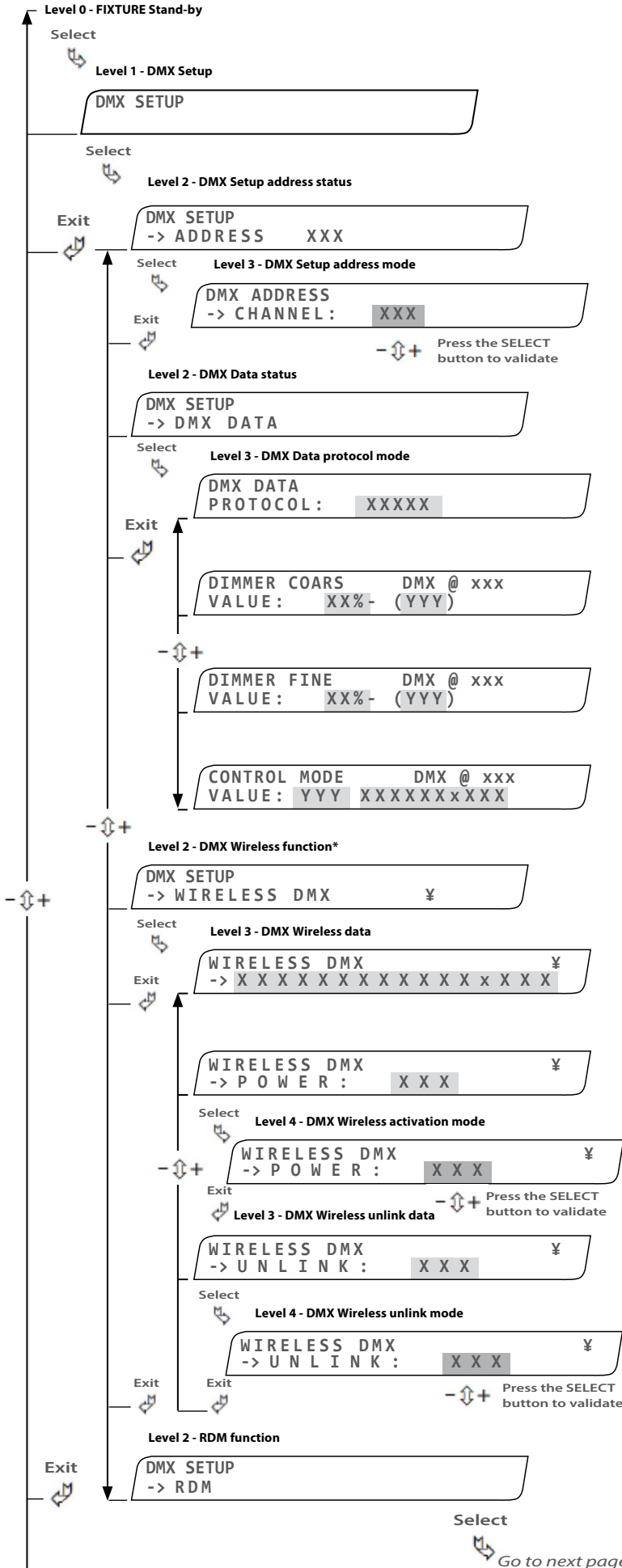
WARNING: If a message error appears, to continue using the followspot, the user must press the ON/OFF push button to validate that the message has been recognised.

PROCEDURE: Go to Fixture Status to check the parameters, page EN-21.

<-- Stand-by screen (after 30 seconds of non-activity)

System functions (Level 0)

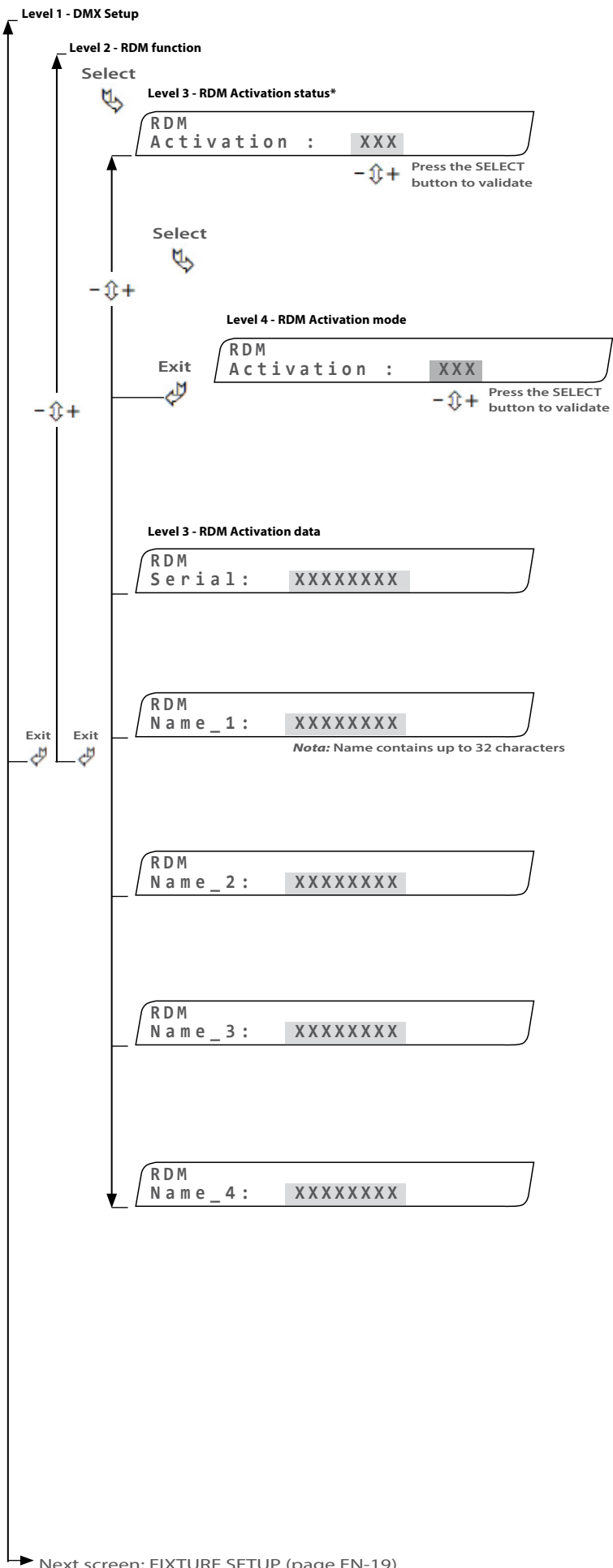
DIMMER	Dimmer value status
FIXTURE	Followspot on stand-by
BALLAST	Mains voltage : OK ERROR WARNING
LAMP	Ignition status : OK ERROR WARNING
LAMP	Warm-up status : OK ERROR WARNING
LAMP	Lamp ON status : OK ERROR WARNING
LAMP	Eco mode status : OK ERROR WARNING
LAMP*	Lamp ON, DMX dimmer status : OK ERROR WARNING
LAMP*	Eco mode, DMX dimmer status : OK ERROR WARNING
LAMP	Lamp switched OFF status : OK ERROR WARNING
LAMP	Lamp OFF, cooling status : OK ERROR WARNING
FIXTURE	Followspot status : ERROR (not corrected)
Function error (Level 0)	
FIXTURE	Followspot status : ERROR (not corrected) Refer to section FIXTURE ERROR page EN-27



DMX SETUP

Function (Level 1)	
DMX SETUP	DMX setup mode
DMX ADDRESS (Level 2)	
ADDRESS	DMX address status
CHANNEL	Select your DMX channel number
DMX DATA	DMX data function
DMX DATA PROTOCOL mode (Level 3)	
PROTOCOL	DMX protocol status: DMX NONE ERROR
VALUE	DMX coarse value : Level(%) & Level (DEC)
VALUE	DMX fine value : Level(%) & Level (DEC)
CONTROL MODE	Control mode status with its given value and its function
DMX WIRELESS function (Level 2) (*) Warning : RDM must be OFF to use the wireless function	
WIRELESS	DMX wireless status : OFF ON RDM ON*
DMX WIRELESS data (Level 3)	
->	DMX wireless device values
POWER	DMX wireless status
DMX WIRELESS activation mode (Level 4)	
POWER	DMX wireless function mode : OFF ON
DMX WIRELESS data (Level 3)	
UNLINK	DMX wireless link/unlink status
DMX WIRELESS UNLINK mode (Level 4)	
UNLINK	DMX wireless link/unlink mode : OFF ON
RDM function (Level 2)	
RDM	Remote Device Management mode

Next screen: FIXTURE RESET (page EN-18)



RDM Activation function (Level 3)
 (*) Warning : DMX Wireless must be OFF to use the RDM function

Activation RDM activation status*

RDM Activation mode (Level 4)

Activation RDM activation mode : OFF | ON | W-DMX ON

RDM Activation data (Level 3)

Serial Identification number

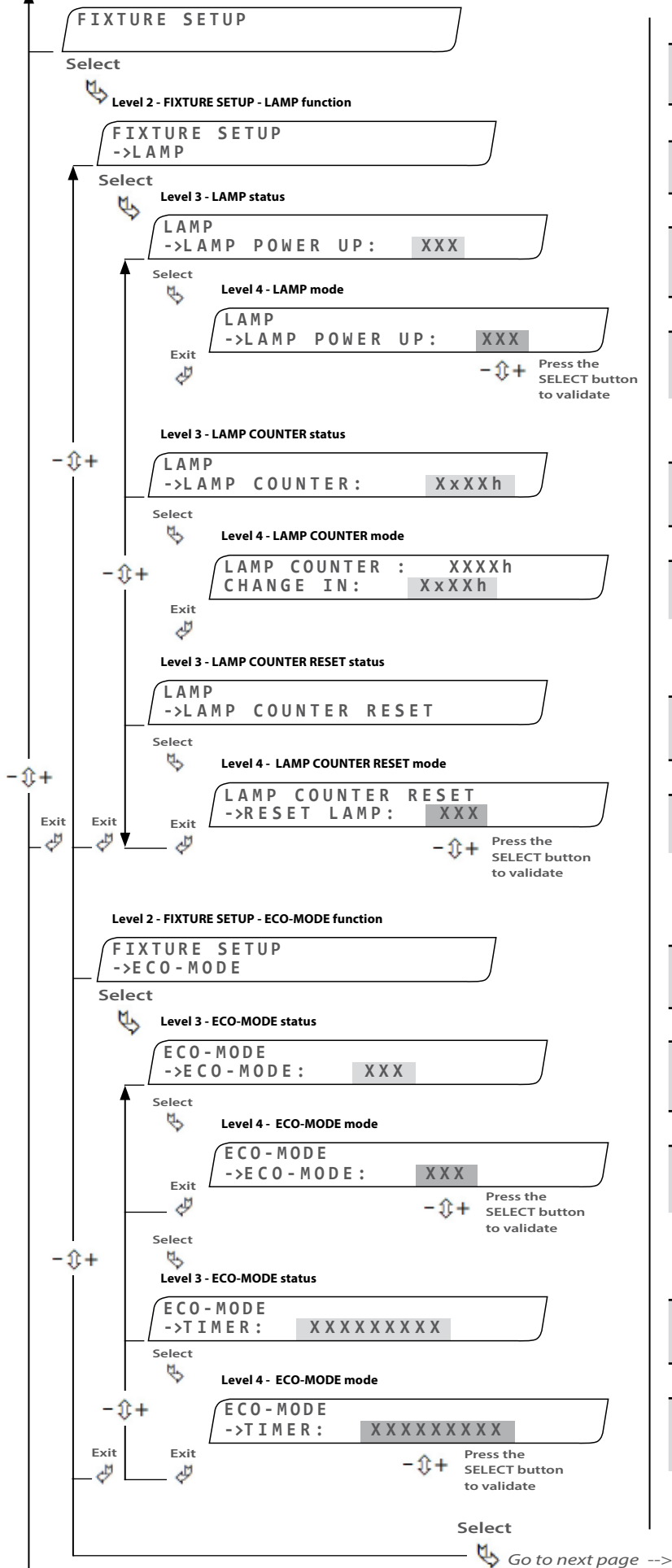
Name - 1 Displays the first 8 characters of the followspot name

Name - 2 Displays the next 8 characters of the followspot name

Name - 3 Displays the next 8 characters of the followspot name

Name - 4 Displays the last 8 characters of the followspot name

Next screen: FIXTURE SETUP (page EN-19)

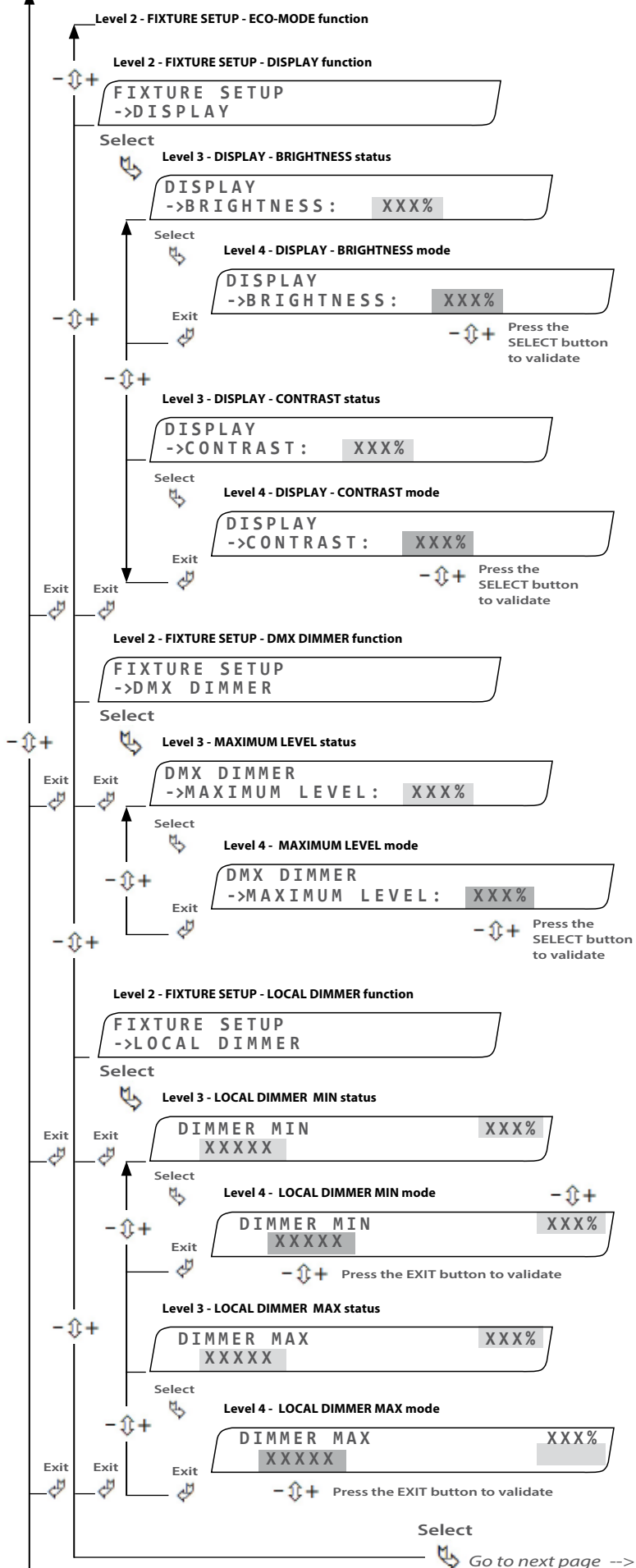


FIXTURE SETUP functions (Level 1)

FIXTURE SETUP	Changing the followspot functions
FIXTURE SETUP - LAMP (Level 2)	
LAMP	Lamp function
LAMP POWER UP (Level 3)	
POWER UP (Level 3)	Indicates if lamp should be ON or OFF when followspot is turned on
LAMP POWER UP (Level 4)	
POWER UP (Level 4)	Set lamp mode : OFF ON
LAMP COUNTER (Level 3)	
LAMP COUNTER	Lamp counter status
LAMP COUNTER mode (Level 4)	
CHANGE IN	Changing lamp indications
LAMP COUNTER RESET function (Level 3)	
COUNTER RESET	Lamp counter reset function
LAMP COUNTER RESET mode (Level 4)	
CHANGE IN	Reset lamp counter to "0" : NO YES
FIXTURE SETUP - ECO-MODE (Level 2)	
ECO-MODE (Level 2)	ECO-MODE function
LAMP POWER UP (Level 3)	
ECO-MODE (Level 3)	Indicates if ECO-MODE is ON or OFF
LAMP POWER UP (Level 4)	
ECO-MODE (Level 4)	Set ECO-MODE : OFF ON
ECO-MODE - TIMER function (Level 3)	
TIMER (Level 3)	Selected timer
LAMP COUNTER RESET mode (Level 4)	
TIMER (Level 4)	Set timer : OFF 3 minutes 15 minutes

Next screen: FIXTURE STATUS (page EN-21)

Level 1 - FIXTURE SETUP functions



FIXTURE SETUP - DISPLAY (Level 2)

DISPLAY Display function

DISPLAY - BRIGHTNESS (Niveau 3)

BRIGHTNESS (Level 3) Indicates brightness set on display screen

DISPLAY - BRIGHTNESS (Level 4)

BRIGHTNESS (Level 4) Set display screen brightness : 0 to 100%

DISPLAY - CONTRAST (Level 3)

CONTRAST (Niveau 3) Indicates contrast set on display screen

DISPLAY - CONTRAST (Level 4)

CONTRAST (Level 4) Set display screen contrast : 0 to 100%

FIXTURE SETUP - DMX DIMMER (Level 2)

DMX DIMMER DMX dimmer function*

DMX DIMMER - MAXIMUM LEVEL (Level 3)

MAXIMUM LEVEL (Niveau 3) Maximum level set status

DMX DIMMER - MAXIMUM LEVEL (Level 4)

MAXIMUM LEVEL (Level 4) Set maximum level : 0 to 100%

(*) If DMX dimmer option available

FIXTURE SETUP - LOCAL DIMMER (Level 2)

LOCAL DIMMER Local dimmer function (on front handle)

LOCAL DIMMER - MINIMUM (Level 3)

DIMMER MIN (Niveau 3) Minimum local dimmer (closing) feedback value status

LOCAL DIMMER - MINIMUM (Level 4)

DIMMER MIN (Level 4) Adjust the local dimmer minimum feedback range value: 16384 to 32767

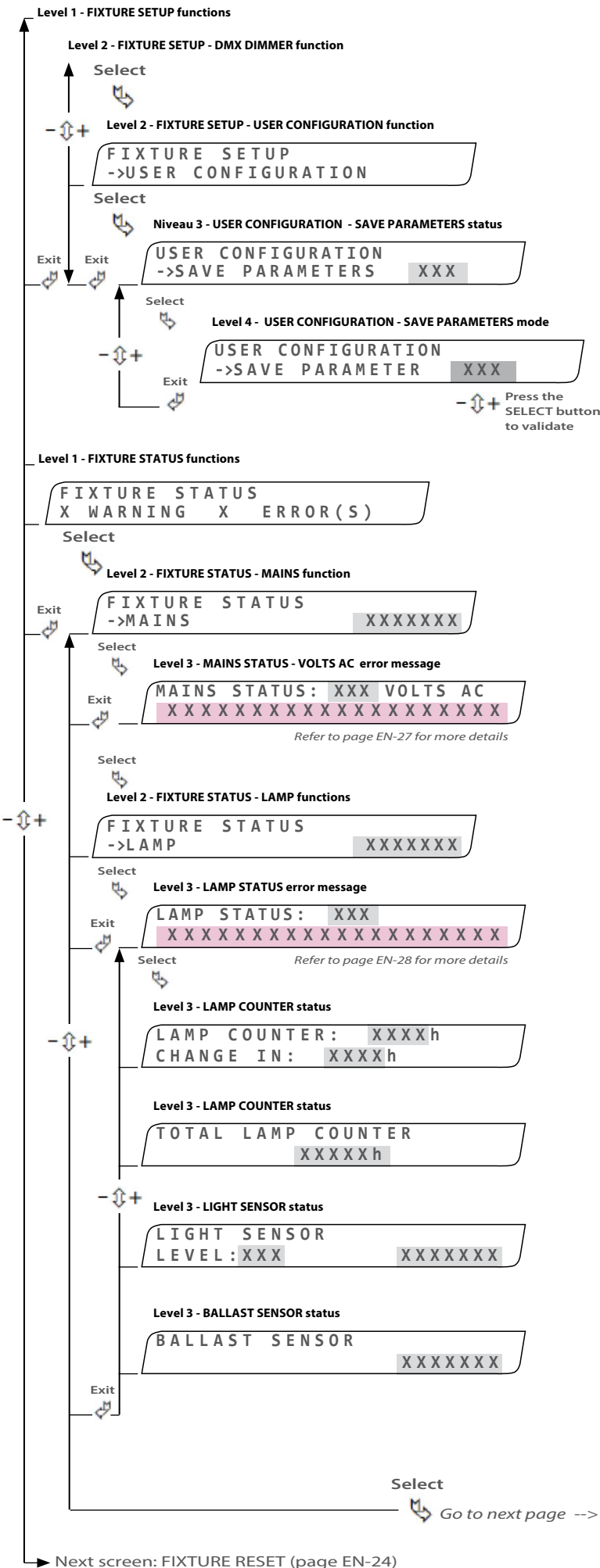
LOCAL DIMMER - MAXIMUM (Level 3)

DIMMER MAX (Niveau 3) Maximum local dimmer (opening) feedback value status

LOCAL DIMMER - MAXIMUM (Level 4)

DIMMER MAX (Level 4) Adjust the local dimmer maximum feedback range value: 0 to 16383

Next screen: FIXTURE STATUS (page EN-21)



FIXTURE SETUP - USER CONFIGURATION (Level 2)

USER CONFIGURATION User configuration function

USER CONFIGURATION - SAVE PARAMETERS (Level 3)

SAVE PARAMETERS (Niveau 3) Saved user parameters status

USER CONFIGURATION - SAVE PARAMETERS (Level 4)

SAVE PARAMETERS (Level 4) Save all user parameters : NO | YES

FIXTURE STATUS functions (Level 1)

FIXTURE SETUP Followspot warning & error status

WARNING Checked all functions and displays the number of warnings

ERROR (S) Checked all functions and displays the number of errors

FIXTURE STATUS - MAINS (Level 2)

MAINS Mains function: OK | WARNING | ERROR

MAINS STATUS - VOLTS AC (Level 3)

XXX Voltage status

Voltage Message Message error: refer to page EN-27 for details

FIXTURE STATUS - LAMP (Level 2)

LAMP Lamp function: OK | WARNING | ERROR

LAMP STATUS (Level 3)

XXX Lamp status: ON | OFF | ECO

Lamp Message Message error: refer to page EN-28 for details

LAMP COUNTER (Level 3)

XXXXh Lamp counter

CHANGE IN Time remaining before changing the lamp

TOTAL LAMP COUNTER (Level 3)

XXXXXh Total lamp counter

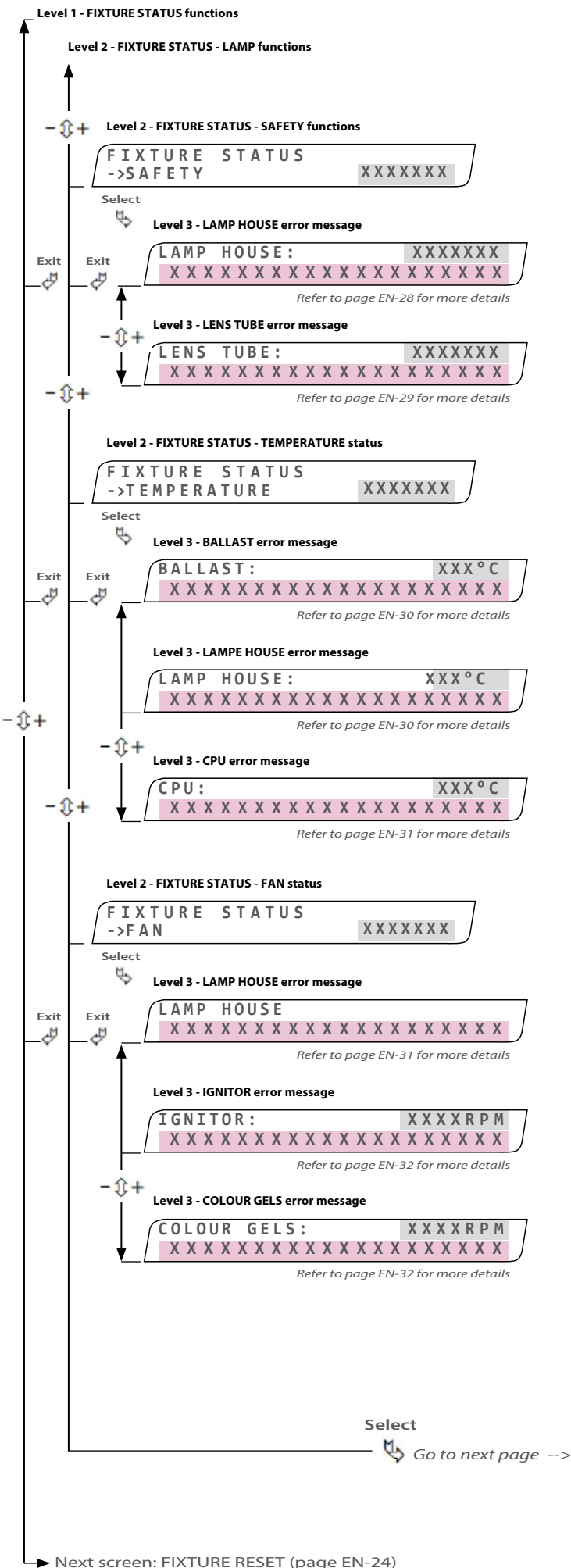
LIGHT SENSOR (Level 3)

LEVEL Level number

LEVEL MESSAGE Level status: OK | WARNING | ERROR

BALLAST SENSOR (Level 3)

MESSAGE Ballast status: OK | WARNING | ERROR



FIXTURE STATUS - MAINS (Level 2)

SAFETY	Safety check status: OK WARNING ERROR
---------------	---

LAMP HOUSE (Level 3)

LAMP HOUSE	Lamp house status: OK WARNING ERROR
Message	Message error: refer to page EN-28 for details

LENS TUBE (Level 3)

LENS TUBE	Lens tube status: OK WARNING ERROR
Message	Message error: refer to page EN-29 for details

FIXTURE STATUS - TEMPERATURE (Level 2)

TEMPERATURE	Mains function: OK WARNING ERROR
--------------------	--------------------------------------

BALLAST (Level 3)

BALLAST	Ballast's temperature status
Message	Message error: refer to page EN-30 for details

LAMPE HOUSE (Level 3)

LENS TUBE	Lamp house's temperature status
Message	Message error: refer to page EN-30 for details

CPU (Level 3)

CPU	CPU's temperature status
Message	Message error: refer to page EN-31 for details

FIXTURE STATUS - FAN (Level 2)

FAN	Fan status: OK WARNING ERROR
------------	----------------------------------

LAMP HOUSE (Level 3)

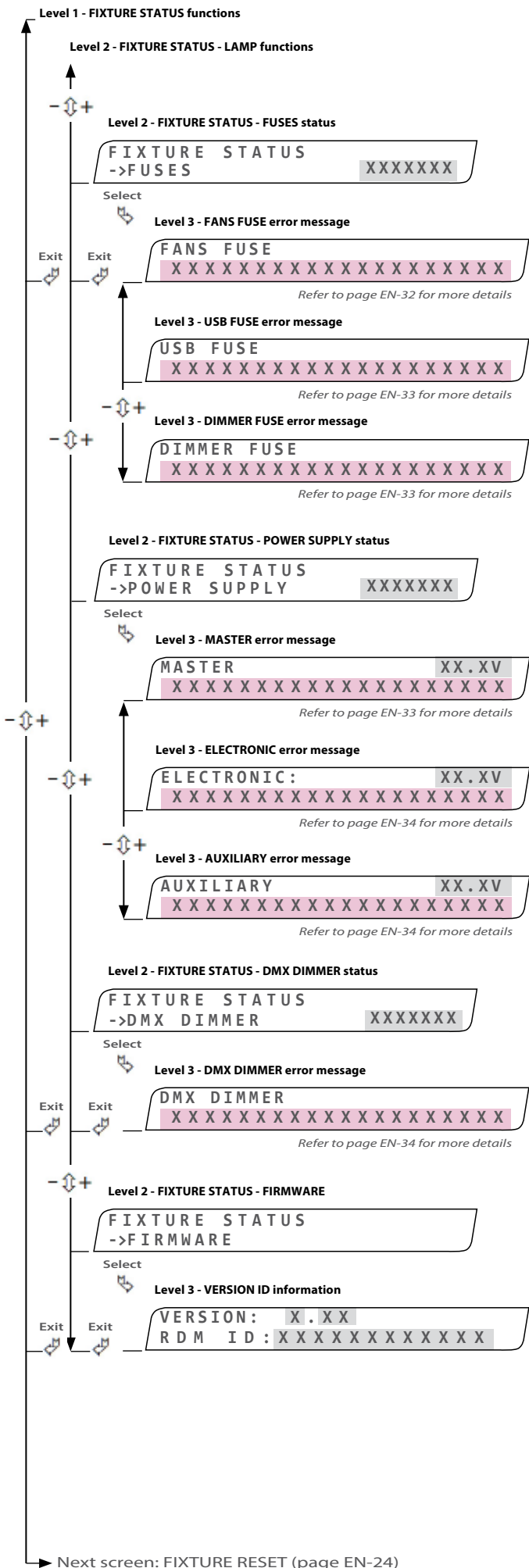
LAMP HOUSE	Lamp house fan's speed rotation value (RPM)
Message	Message error: refer to page EN-31 for details

IGNITOR (Level 3)

IGNITOR	Ignitor fan's speed rotation value (RPM)
Message	Message error: refer to page EN-32 for details

COLOUR GELS (Level 3)

COLOUR GELS	Colour gel fan's speed rotation value (RPM)
Message	Message error: refer to page EN-32 for details



FIXTURE STATUS - MAINS (Level 2)

FUSES	Fuse status: OK ERROR
--------------	-------------------------

FAN FUSE (Level 3)

Message	Message error: refer to page EN-32 for details
----------------	--

USB FUSE (Level 3)

Message	Message error: refer to page EN-33 for details
----------------	--

DIMMER FUSE (Level 3)

Message	Message error: refer to page EN-33 for details
----------------	--

FIXTURE STATUS - POWER SUPPLY (Level 2)

POWER SUPPLY	Power supply status: OK WARNING ERROR
---------------------	---

MASTER (Level 3)

MASTER	Master version
Message	Message error: refer to page EN-33 for details

ELECTRONIC (Level 3)

ELECTRONIC	Electronic version
Message	Message error: refer to page EN-34 for details

AUXILIARY (Level 3)

AUXILIARY	Auxiliary version
Message	Message error: refer to page EN-34 for details

FIXTURE STATUS - DMX DIMMER (Level 2)

DMX DIMMER	DMX dimmer status: OK WARNING ERROR
-------------------	---

DMX DIMMER (Level 3)

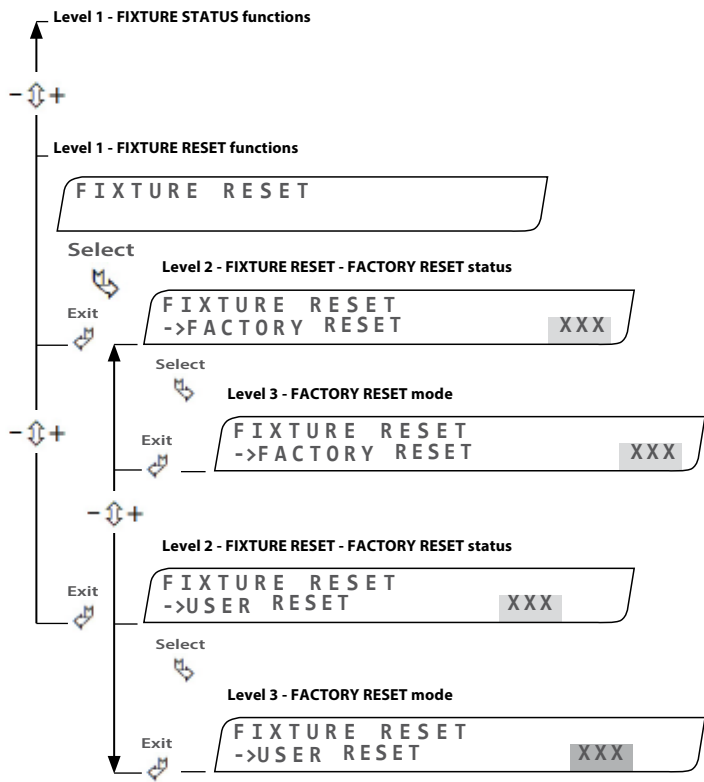
Message	Message error: refer to page EN-34 for details
----------------	--

FIXTURE STATUS - FIRMWARE (Level 2)

FIRMWARE	Firmware information
-----------------	----------------------

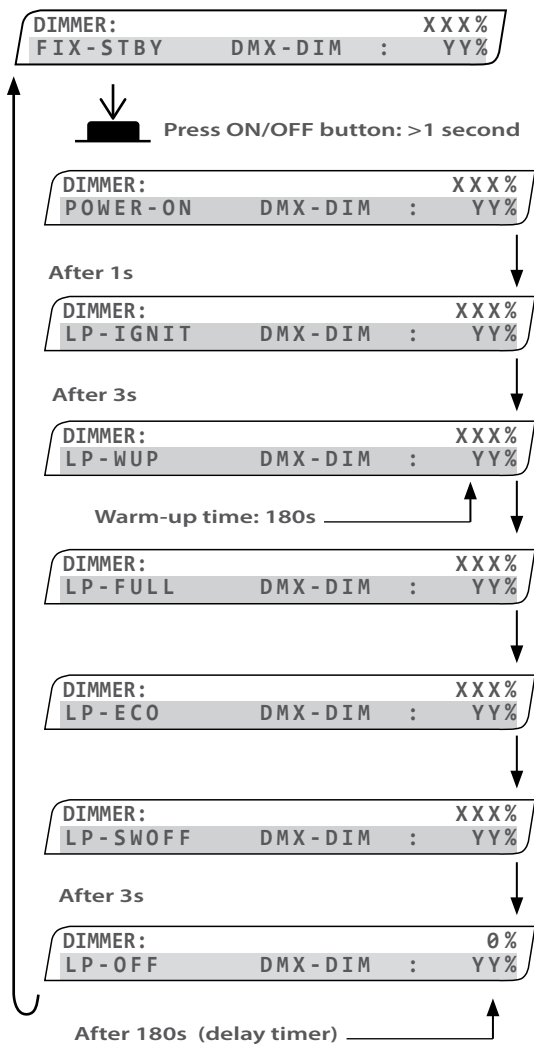
VERSION (Level 3)

VERSION	Version (factory use only)
RDM ID	Identification information (factory use only)



4.2.3 Menus for DMX dimmer option

Level 0 - FIXTURE Stand-by screen when dimmer option detected



FIXTURE RESET (Level 1)

FIXTURE RESET Fixture reset functions

FIXTURE RESET - FACTORY RESET (Level 2)

FACTORY RESET (Level 2) Factory reset status

FACTORY RESET (Level 3) Factory reset mode: YES | NO

FIXTURE RESET - USER RESET (Level 2)

USER RESET (Level 2) User reset status

USER RESET (Level 3) User reset mode: YES | NO

<- Stand-by screen (after 30 seconds of non-activity)

System functions (Level 0)

DIMMER Dimmer value status

FIX-STBY Followspot on stand-by

POWER-ON Mains voltage : OK | ERROR | WARNING

LP-IGNIT Ignition status : OK | ERROR | WARNING

LP-WUP Warm-up status : OK | ERROR | WARNING

LP-FULL Lamp ON status : OK | ERROR | WARNING

LP-ECO Eco mode status : OK | ERROR | WARNING

LP-SWOFF Lamp switched OFF status : OK | ERROR | WARNING

LP-OFF Lamp OFF, cooling status : OK | ERROR | WARNING

Level 0 - FIXTURE ERROR

DIMMER: 0%
 FIX - ERR DMX - DIM : YY%

Refer to page EN-29 for more details

WARNING: If a message error appears, to continue using the followspot, the user must press the ON/OFF push button to validate that the message has been recognised.

PROCEDURE: Go to *Fixture Status* to check the parameters, page EN-21.

Function error (Level 0)

FIX-ERR

Followspot status : ERROR (not corrected)

Refer to section MESSAGE ERROR SCREENS, page EN-28

4.2.4 DMX Chart

Channel Mapping				
Channel	Name	Minimum Range	Maximum Range	Function
1	Dimmer coarse	0	255	16-bit Dimming (65535 steps)
2	Dimmer fine	0	255	
3	Control mode	36	45	Dimmer smoothing : OFF
		46	55	Minimum dimmer smoothing range : ON
		56	65	Medium dimmer smoothing range : ON
		66	75	Maximum dimmer smoothing range : ON
		96	115	Maximum dimmer range : OFF
		116	135	Maximum dimmer range : ON
		136	155	RDM: OFF (DMX option only)
		156	175	RDM: ON
		176	195	ECO: OFF
		196	215	Auto ECO: ON
		216	235	Lamp OFF
		236	255	Lamp ON

5.1 Preventative maintenance

5.1.1 Frequency

General maintenance should be performed at least once a year or more frequently if the followspot is operated in adverse conditions (smoke, humidity, touring, etc.).

5.1.2 General cleaning

Remove dust from the unit (air vents, printed circuit boards, etc.).

5.1.3 General visual check

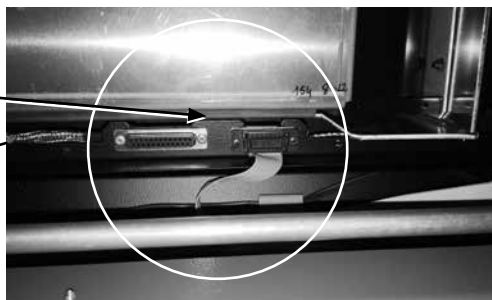
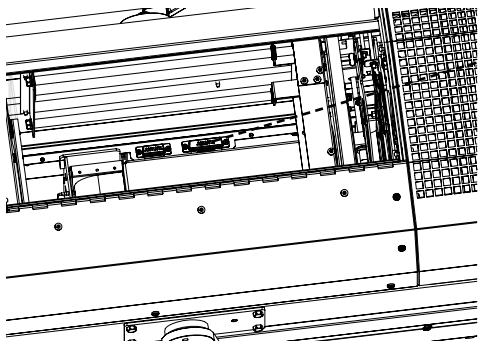
- No trace of heat.
- No loose contacts.
- No missing parts.
- Tighten mechanical assemblies (screws, bolts and nuts, ground connections, etc.).

5.1.4 Optics

The cleaning of optical parts (lenses) shall be carried out with solutions containing alcohol.

5.1.5 Removing the Power Supply Unit (PSU)

- Disconnect the DSUB15 flat cable and/or the DSUB25 flat cable if motorised dimmer option available.



- Unlock the 2 screws, then push the handle forward and then slightly push down to open the PSU unit.



- Keep holding the handle while opening the PSU unit and place your second hand underneath the LCD display area to stabilize it. Then pull the unit towards the rear to remove.



- **Warning :** Ensure that the security bent plate has been pulled out from the slot.



5.2 Analysis

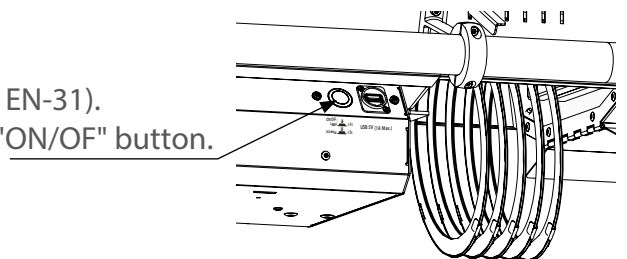
If there is still a problem after the troubleshooting procedure (see part 6) has been performed, contact your *Robert Juliat* distributor with the following information:

- Model, version and serial number of the product.
- Software version (page EN-15, section 4.2.2).
- Description of the problem.

5.3 Thermal protection

In case the thermal protection starts :

- Check possible overheating indications (page EN-31).
- Reset the thermal protection by pressing the "ON/OFF" button.



5.4 Exploded view / Spare parts list

- ➔ Available on www.followspot-merlin.com or www.robertjuliaticom.com
- ➔ Or on request through the *Robert Juliat* Service department info@robertjuliaticom.fr

6.1 General information

SYMPTOMS	POSSIBLE EXPLICATIONS	SOLUTIONS
Light does not switch on	No lamp installed	Install lamp into socket (refer to page EN-7)
	The lamp is installed but defective	Control / replace the lamp
	The lamp cover is not properly mounted	Check that the lamp housing cover & security bolts are correctly mounted (refer to page EN-8)
	Defective micro-switches	Change the micro-switch(es)
	Electrical connection	Check the connections (refer to page EN-9)
	Faulty power supply	Replace the power supply (refer to page EN-26)
The beam is not uniform	The lamp is not aligned	Replace the lamp (refer to page EN-7)
	Beam adjustment	Adjust knobs to reach the expected adjustment (refer to page EN-12)
	Non compatible lamp	See the list of compatible lamps (page EN-7)

6.2 Error message screens :

Level 3 - MAINS STATUS - VOLTS AC - Error message example :

```
MAINS STATUS: 190 VOLTS AC
VOLTAGE TOO LOW
```

Level 3 - MAINS STATUS - VOLTS AC - Warning message example :

```
MAINS STATUS: 198 VOLTS AC
UNSTABLE LOW VOLTAGE
```

Level 3 - MAINS STATUS - VOLTS AC - OK message example :

```
MAINS STATUS: 240 VOLTS AC
VOLTAGE : OK
```

MAINS STATUS - VOLTS AC (Niveau 3)

Statut: Error : Followspot has stopped

Message: VOLTAGE TOO LOW

Reason: Voltage range too low:
0 to 194V or 195 to 199V (if >3mn)

Solution: Check your electrical installation

Statut: Warning: Followspot can still be used

Message: UNSTABLE LOW VOLTAGE

Reason: Voltage range acceptable: 195 to 199V (if <3mn)

Solution: Check your electrical installation

Statut: OK: Followspot is working correctly

Message: VOLTAGE: OK

Reason: Correct voltage range: 200 to 254V

Solution: NA

Level 3 - MAINS STATUS - VOLTS AC - Error message example :

MAINS STATUS: 258 VOLTS AC
UNSTABLE HIGH VOLTAGE

Level 3 - MAINS STATUS - VOLTS AC - Error message example :

MAINS STATUS: 261 VOLTS AC
VOLTAGE TOO HIGH

Level 3 - LAMP STATUS - OK message :

LAMP STATUS: ON
LAMP LIFE: OK

Level 3 - LAMP STATUS - Warning message :

LAMP STATUS: ON
LAMP LIFE: OVER

Level 3 - LAMP STATUS - Error message :

LAMP STATUS: ON
END OF LAMP LIFE

Level 3 - LIGHT SENSOR - Error message :

LIGHT SENSOR
LIGHT SENSOR DEFAULT

Level 3 - LIGHT SENSOR - Error message :

LIGHT SENSOR
LIGHT NOT DETECTED

MAINS STATUS - VOLTS AC (Level 3)

Statut:	Error : Followspot has stopped
Message:	UNSTABLE HIGH VOLTAGE
Reason:	Voltage range too high: Voltage range: 255 to 260V (if <3mn)
Solution:	Check your electrical installation

Statut:	Error : Followspot has stopped
Message:	VOLTAGE TOO HIGH
Reason:	Voltage range too low or too high: < 260V & 255-260 (if >3 mn)
Solution:	Check your electrical installation

LAMP STATUS (Level 3)

Statut:	OK: Followspot is working correctly
Message:	LAMP LIFE: OK
Reason:	Correct lamp life range: 0 to 500 hours (h)
Solution:	NA

Statut:	Warning: Followspot can still be used
Message:	LAMP LIFE: OVER
Reason:	Excessive use of the lamp life: 501 to 1000 h
Solution:	Replace the lamp by a new one as soon as possible and then reset lamp counter

Statut:	Error : Followspot has stopped
Message:	END OF LAMP LIFE
Reason:	Lamp life exceeded or burned out: >1000 h
Solution:	Replace the used lamp by a new one and reset counter

LIGHT SENSOR (Level 3)

Statut:	Error : Followspot has stopped
Message:	LIGHT SENSOR DEFAULT
Reason:	Lamp doesn't turn ON during ignition of the followspot
Solution:	- Check the wiring in the lamp house - Replace the faulty sensor in the lamp house

Statut:	Error : Followspot has stopped
Message:	LIGHT NOT DETECTED
Reason:	Lamp turns OFF after ignition of the followspot
Solution:	- Check that the lamp is correctly in place in the lamp house - Replace old lamp if problems occur during ignition - Clean dust on sensor in the lamp house

Level 3 - LIGHT SENSOR - OK message :

LIGHT SENSOR	OK
LEVEL : 1	

Level 3 - BALLAST SENSOR - Error message :

BALLAST SENSOR	
BALLAST DEFAULT	

Level 3 - BALLAST SENSOR - Error message :

BALLAST SENSOR	
OUTPUT DEFAULT	

Level 3 - LAMP HOUSE - Error message :

LAMP HOUSE :	ERROR
MICROSWITCH OPEN	

Level 3 - LAMP HOUSE - Error message :

LAMP HOUSE :	ERROR
GENERAL OVERHEATING	

Level 3 - LAMP HOUSE - OK message :

LAMP HOUSE :	
SAFETY SWITCHES : OK	

Level 3 - LENS TUBE - Error message :

LENS TUBE :	ERROR
UNPLUGGED DSUB15	

Statut:	OK: Followspot is working correctly
----------------	-------------------------------------

Message:	-
-----------------	---

Reason:	NA
----------------	----

Solution:	NA
------------------	----

BALLAST SENSOR (Level 3)

Statut:	Error : Followspot has stopped
----------------	--------------------------------

Message:	BALLAST DEFAULT
-----------------	-----------------

Reason:	Lamp doesn't turn ON during ignition of the followspot
----------------	--

Solution:	Replace the sensor in the power supply unit
------------------	---

Statut:	Error : Followspot has stopped
----------------	--------------------------------

Message:	OUTPUT DEFAULT
-----------------	----------------

Reason:	Lamp turns OFF after ignition of the followspot
----------------	---

Solution:	<ul style="list-style-type: none"> - Check that the lamp is correctly in place - Check the electrical equipment - Check if PSU is working correctly
------------------	--

LAMP HOUSE (Level 3)

Statut:	Error : Followspot has stopped
----------------	--------------------------------

Message:	MICROSWITCH OPEN
-----------------	------------------

Reason:	Lamp house cover not correctly mounted
----------------	--

Solution:	Check that lamp house cover is correctly positioned into place
------------------	--

Statut:	Error : Followspot has stopped
----------------	--------------------------------

Message:	GENERAL OVERHEATING
-----------------	---------------------

Reason:	Over heating of the lamp house: >80° C
----------------	--

Solution:	<ul style="list-style-type: none"> - Check all sensors - Ensure fans are working correctly - Check if lamp is in good condition - Replace used lamp that may cause over heating
------------------	---

Statut:	OK: Followspot is working correctly
----------------	-------------------------------------

Message:	SAFETY SWITCHES: OK
-----------------	---------------------

Reason:	NA
----------------	----

Solution:	NA
------------------	----

LENS TUBE (Level 3)

Statut:	Error : Followspot has stopped
----------------	--------------------------------

Message:	UNPLUGGED DSUB15
-----------------	------------------

Reason:	The DSUB-15 flat cable in the lens tube is not connected
----------------	--

Solution:	Reconnect the DSUB-15 flat cable
------------------	----------------------------------

Level 3 - LENS TUBE - Warning message :

```
LENS TUBE: WARNING
SAFETY LOOP: OPEN
```

Level 3 - LENS TUBE - OK message :

```
LENS TUBE: OK
CONNECTED DSUB15
```

Level 3 - BALLAST - Warning message example :

```
BALLAST: 2°C
TEMPERATURE: TOO LOW
```

Level 3 - BALLAST - OK message example :

```
BALLAST: 51°C
TEMPERATURE: OK
```

Level 3 - BALLAST - Error message example :

```
BALLAST: 85°C
BALLAST OVERHEATING
```

Level 3 - BALLAST - Error message example :

```
BALLAST: XXX°C
TEMP. SENSOR DEFAULT
```

Level 3 - LAMP HOUSE - Warning message example :

```
LAMP HOUSE: 3°C
TEMPERATURE: TOO LOW
```

Level 3 - LAMP HOUSE - OK message example :

```
LAMP HOUSE: 64°C
TEMPERATURE: OK
```

Statut: Warning: Followspot can still be used

Message: SAFETY LOOP: OPEN

Reason: Microswitch(s) / thermoswitch(s) open or flat connector(s) unplugged

- Make sure that the lamp house cover is correctly closed

Solution:
- Check all sensors in the followspot
- Reconnect any unplugged connector(s) or sensor(s)

Statut: OK: Followspot is working correctly

Message: CONNECTED DSUB15

Reason: NA

Solution: NA

BALLAST (Level 3)

Statut: Warning: Followspot can still be used

Message: TEMPERATURE: TOO LOW

Reason: Temperature of the PSU too low: <4° C

Solution: Place the followspot in an area temperatured between 5° to 79°C

Statut: OK: Followspot is working correctly

Message: TEMPERATURE: OK

Reason: Correct temperature range: 5° to 79° C

Solution: NA

Statut: Error : Followspot has stopped

Message: BALLAST OVERHEATING

Reason: PSU temperature range not accepted: >80° C

Solution: Check fans in the power supply unit (PSU)

Statut: Error : Followspot has stopped

Message: TEMP. SENSOR DEFAULT

Reason:
- Sensor not connected, check sensor
- Check wiring

Solution: Locate and replace the faulty thermoswitch

LAMP HOUSE (Level 3)

Statut: Warning: Followspot can still be used

Message: TEMPERATURE: TOO LOW

Reason: Temperature in lamp house too low: <4° C

Solution: Place the followspot in an area temperatured between 5° to 79°C

Statut: OK: Followspot is working correctly

Message: TEMPERATURE: OK

Reason: Correct temperature range: 5° to 79° C

Solution: NA

Level 3 - LAMP HOUSE - Error message example :

LAMP HOUSE : 86 °C
LAMP OVERHEATING

Level 3 - LAMP HOUSE - Error message example :

LAMP HOUSE : XXX °C
TEMP. SENSOR DEFAULT

Level 3 - CPU - Warning message example :

CPU : 2 °C
TEMPERATURE : TOO LOW

Level 3 - CPU - OK message example :

CPU : 56 °C
TEMPERATURE : OK

Level 3 - CPU - Error message example :

CPU : 124 °C
CPU OVERHEATING

Level 3 - LAMP HOUSE - Error message :

LAMP HOUSE
MAIN FAN : DEFAULT

Level 3 - LAMP HOUSE - OK message :

LAMP HOUSE
MAIN FAN : OK

Statut:	Error : Followspot has stopped
Message:	LAMP OVERHEATING
Reason:	Lamp house temperature range not accepted: >80° C
Solution:	Check fans in the lamp house

Statut:	Error : Followspot has stopped
Message:	TEMP. SENSOR DEFAULT
Reason:	- Check all sensors in the followspot - Reconnect any unplugged connector(s) or sensor(s)
Solution:	Locate and replace the faulty thermoswitch

CPU (Niveau 3)

Statut:	Warning: Followspot can still be used
Message:	TEMPERATURE : TOO LOW
Reason:	Temperature of the CPU in PSU too low: <4° C
Solution:	Place the followspot in an area temperatured between 5° to 79° C

Statut:	OK: Followspot is working correctly
Message:	TEMPERATURE : OK
Reason:	Correct temperature range: 5° to 110° C
Solution:	NA

Statut:	Error : Followspot has stopped
Message:	CPU OVERHEATING
Reason:	CPU temperature range not accepted: >110° C
Solution:	Check fans in the power supply unit (PSU)

FAN - LAMP HOUSE (Level 3)

Statut:	Error : Followspot has stopped
Message:	MAIN FAN : DEFAULT
Reason:	Driver fan has stopped working
Solution:	Replace faulty fan and/or driver

Statut:	OK: Followspot is working correctly
Message:	MAIN FAN : OK
Reason:	NA
Solution:	NA

Level 3 - IGNITOR (in lamp house) - Error message :

```
IGNITOR
IGNITOR FAN : DEFAULT
```

Level 3 - IGNITOR - Error message example :

```
IGNITOR: 657RPM
IGNITOR FAN : TOO LOW
```

Level 3 - IGNITOR - Warning message example :

```
IGNITOR: 2117RPM
IGNITOR FAN : TOO LOW
```

Level 3 - IGNITOR - OK message example :

```
IGNITOR: 3269RPM
IGNITOR FAN : OK
```

Level 3 - COLOUR GELS - Warning message example :

```
COLOUR GELS: XXXXRPM
COLOURS FAN : DEFAULT
```

Level 3 - COLOUR GELS - Warning message example :

```
COLOUR GELS: 1753RPM
COLOURS FAN : TOO LOW
```

Level 3 - COLOUR GELS - OK message example :

```
COLOUR GELS: 2133RPM
COLOURS FAN : OK
```

Level 3 - FAN FUSE - Error message :

```
FAN FUSE
FANS FUSE : BLOWN
```

FAN - LAMP HOUSE - IGNITOR (Level 3)

Statut: Error : Followspot has stopped

Message: IGNITOR FAN: DEFAULT

Reason: Fan not connected

Solution: Check or replace faulty fan

Statut: Error : Followspot has stopped

Message: IGNITOR FAN: TOO LOW

Reason: Fan running too slow or is faulty: 1 to 1000 RPM

Solution: Check or replace faulty fan in the lamp house

Statut: Warning: Followspot can still be used

Message: IGNITOR FAN: TOO LOW

Reason: Fan running slow or is faulty: 1001 to 3000 RPM

Solution: Check or replace faulty fan in the lamp house

Statut: OK: Followspot is working correctly

Message: IGNITOR FAN: OK

Reason: Ignitor fan running correctly: >3001 RPM

Solution: NA

FAN - COLOUR GELS (Level 3)

Statut: Warning: Followspot can still be used

Message: COLOURS FAN: DEFAULT

Reason: Faulty fan speed sensor and/or fan

Solution: Replace the fan's speed sensor or fan in the colour changer compartment

Statut: Warning: Followspot can still be used

Message: COLOURS FAN: TOO LOW

Reason: Fan running too slow or is faulty: 1 to 2000 RPM

Solution: Check or replace faulty fan in the colour changer compartment

Statut: OK: Followspot is working correctly

Message: COLOURS FAN: OK

Reason: Colours fan running correctly: >2001 RPM

Solution: NA

FAN FUSE (Level 3)

Statut: Error : Followspot has stopped

Message: FANS FUSE: BLOWN

Reason: Fuse burned out

Solution: Replace fuse and faulty fan in the lamp house

Level 3 - FAN FUSE - OK message :

```
FAN FUSES
FANS FUSE : OK
```

Level 3 - USB FUSE - Warning message :

```
USB FUSES
USB FUSE : BLOWN
```

Level 3 - USB FUSE - OK message :

```
USB FUSE
USB FUSE : OK
```

Level 3 - DIMMER FUSE - Warning message :

```
USB FUSES
DIMMER FUSE : BLOWN
```

Level 3 - DIMMER FUSE - OK message :

```
USB FUSE
DIMMER FUSE : OK
```

Level 3 - MASTER - Error message example :

```
MASTER XX.XV
12V PSU : TOO LOW
```

Level 3 - MASTER - OK message example :

```
MASTER XX.XV
12V PSU : OK
```

Level 3 - MASTER - Error message example :

```
MASTER XX.XV
12V PSU : TOO HIGH
```

Statut: OK: Followspot is working correctly

Message: IGNITOR FAN: OK

Reason: NA

Solution: NA

USB FUSE (Level 3)

Statut: Warning: Followspot can still be used

Message: USB FUSE: BLOWN

Reason: USB fuse burned out

Solution: Replace USB fuse on the CPU board

Statut: OK: Followspot is working correctly

Message: USB FUSE: OK

Reason: NA

Solution: NA

DIMMER FUSE (Level 3)

Statut: Warning: Followspot can still be used

Message: DIMMER FUSE: BLOWN

Reason: Dimmer fuse burned out

Solution:

- Replace USB fuse on the CPU board
- Replace faulty dimmer

Statut: OK: Followspot is working correctly

Message: DIMMER FUSE: OK

Reason: NA

Solution: NA

MASTER FUSE (Level 3)

Statut: Error : Followspot has stopped

Message: 12V PSU: TOO LOW

Reason: Voltage too low: <11,5 V

Solution:

- If mains voltage used is correct, test Low Voltage on PSU and CPU board
- Change any faulty unit(s)

Statut: OK: Followspot is working correctly

Message: 12V PSU: OK

Reason: Correct voltage range: 11,5 to 13 V

Solution: NA

Statut: Error : Followspot has stopped

Message: 12V PSU: TOO HIGH

Reason: Voltage too high: >13 V

Solution:

- If mains voltage used is correct, test the CPU board
- Replace the CPU board

Level 3 - ELECTRONIC - Error message example :

```
ELECTRONIC          XX.XV
5V PSU: TOO LOW
```

Level 3 - ELECTRONIC - OK message example :

```
ELECTRONIC          XX.XV
5V PSU: OK
```

Level 3 - ELECTRONIC - Error message example :

```
ELECTRONIC          XX.XV
5V PSU: TOO HIGH
```

Level 3 - AUXILIARY - Warning message example :

```
ELECTRONIC          XX.XV
AUX 5V PSU: TOO LOW
```

Level 3 - AUXILIARY - OK message example :

```
ELECTRONIC          XX.XV
AUX 5V PSU: OK
```

Level 3 - AUXILIARY - Warning message example :

```
ELECTRONIC          XX.XV
AUX 5V PSU: TOO HIGH
```

Level 3 - DMX DIMMER - Warning message example :

```
DMX DIMMER
MODULE DISCONNECTED
```

Level 3 - DMX DIMMER - OK message :

```
DMX DIMMER
MODULE CONNECTED
```

ELECTRONIC (Level 3)

Statut:	Error : Followspot has stopped
Message:	5V PSU: TOO LOW
Reason:	Voltage too low: <4,5 V
Solution:	- If mains voltage used is correct, test Low Voltage on PSU and CPU board - Change any faulty unit(s)

Statut:	OK: Followspot is working correctly
Message:	5V PSU: OK
Reason:	Correct voltage range: 4,5 to 5,5 V
Solution:	NA

Statut:	Error : Followspot has stopped
Message:	5V PSU: TOO HIGH
Reason:	Voltage too high: >5,5 V
Solution:	- If mains voltage used is correct, test CPU board - Replace the CPU board

AUXILIARY (Level 3)

Statut:	Warning: Followspot can still be used
Message:	AUX 5V PSU: TOO LOW
Reason:	Voltage too low: <4,5 V
Solution:	- If mains voltage used is correct, test Low Voltage on PSU and CPU board - Change any faulty unit(s)

Statut:	OK: Followspot is working correctly
Message:	AUX 5V PSU: OK
Reason:	Correct voltage range: 4,5 to 5,5 V
Solution:	NA

Statut:	Warning: Followspot can still be used
Message:	AUX 5V PSU: TOO HIGH
Reason:	Voltage too high: >5,5 V
Solution:	- If mains voltage used is correct, test CPU board - Replace the CPU board

DMX DIMMER (Level 3)

Statut:	Warning: Followspot can still be used
Message:	MODULE DISCONNECTED
Reason:	Flat cable DSUB25 disconnected in the followspot
Solution:	Connect the flat cable DSUB25

Statut:	OK: Followspot is working correctly
Message:	MODULE CONNECTED
Reason:	NA
Solution:	NA

7.1 RDM - What is it?

Remote Device Management is a protocol that sits on top of the normal DMX512 data standard. DMX512 is a uni-directional protocol which means that the data flows in one direction – from the control desk to the lights.

With the addition of RDM, the DMX512 system becomes a bi-directional (half-duplex) system. The controller is able to send out a question to devices on the wire, which can then respond with an answer. The messages within the protocol cover all the everyday tasks a lighting system manager incurs – setting DMX addresses, modes and other configuration tasks, plus monitoring sensors, usage, status messages and fault finding. Think of an RDM transaction as a conversation – the lighting desk says ‘tell me your DMX address’ and the fixture responds with ‘my address is 032’. This is known as a GET command. Next the controller can send a SET command, such as ‘set your DMX address to 065’, and the fixture can respond to acknowledge this change. In this way, through GET and SET commands and responses, the RDM protocol allows a control desk to modify and monitor the DMX system in ways never possible before.

7.2 RDM requirements

*To use all MERLIN RDM functions, your device must be normalized: **ANSI E1.20 - 2010 (& if possible) ANSI E1.37 - 1***

7.3 RDM function list :

STANDARD FUNCTIONS					
PID standard	Function Description	Discovery command	SET command	GET command	Remarks
00 01	Discovery Unique Branch	•			
00 02	Discovery Mute	•			
00 03	Discovery Unmute	•			
00 15	Communication Status		•	•	
00 20	Queued Message			•	
00 30	Status Messages			•	
00 31	Status ID Description			•	
00 32	Clear Status ID		•		
00 50	Supported Parameters			•	
00 51	Parameter Description			•	
00 60	Device Info			•	
00 70	Product Detail ID List			•	
00 80	Device Model Description			•	
00 81	Manufacturer Label			•	
00 82	Device Label		•	•	
00 90	Factory Defaults		•	•	
00 C0	Software Version Label			•	
00 E0	DMX512 Personality			•	
00 F0	DMX512 Personality Description			•	
01 20	DMX512 Starting Address		•	•	
01 21	Slot Info			•	
01 22	Slot Description			•	

STANDARD FUNCTIONS

PID standard	Function Description	Discovery command	SET command	GET command	Remarks
02 00	Sensor Definition			•	
02 01	Sensor Value			•	
04 00	Device Hours		•	•	Set = Factory locked
04 01	Lamp Hours		•	•	Authorized reset level (=0)
04 03	Lamp State		•	•	
04 04	Lamp On Mode		•	•	
05 01	Display Level		•	•	
06 41	Lock State		•	•	E1.37-1
06 42	Lock State Description			•	E1.37-1
10 00	Identify device			•	
10 01	Reset device			•	

ROBERT JULIAT SPECIFIC FUNCTIONS

PID standard	Function Description	Discovery command	SET command	GET command	Remarks
85 09	Light Curve		•	•	
85 10	Smoothing		•	•	
85 11	Manual Dimmer Level			•	
85 14	Eco-Mode Activation		•	•	
85 15	Eco-Mode Timer		•	•	
85 17	Contrast Display Level		•	•	
85 18	Dimmer Status			•	
85 19	User Configuration		•		Save=1 Restore=2
85 20	Motorised Dimmer		•	•	
85 22	Zero Dimmer Local		•	•	
85 23	Full Dimmer Local		•	•	

"GET" FUNCTION STATUS - ERROR MESSAGE LIST

"Sensor not found"	"End of Lamp Life"	"Ignitor Fan Too Low"
"Sensor over temp"	"Light Sensor Default"	"Colors Fan Default"
"Sensor under temp"	"Light Not Detected"	"Colors Fan Too Low"
"Phase over voltage"	"Ballast Default"	"Fans Fuse Blown"
"Phase under voltage"	"Output Default"	"USB Fuse Blown"
"Sensor out of range"	"Ballast Temp. Too Low"	"Dimmer Fuse Blown"
"Sensor always one"	"Ballast Overheating"	"12V PSU Too Low"
"Microswitch Open"	"Ballast Temp. Sensor Default"	"12V PSU Too High"
"General Overheating"	"Lamp House Temp. Too Low"	"5V PSU Too Low"
"Unplugged DSUB 15"	"Lamp House Overheating"	"5V PSU Too High"
"Safety Loop Open" (not used)	"Lamp House Temp. Sensor Default"	"AUX 5V PSU Too Low"
"Mains Voltage Too Low"	"CPU Temp. Too Low"	"AUX 5V PSU Too High"
"Unstable Mains Voltage"	"CPU Overheating"	Motorised Dimmer Disconnected
"Mains Voltage Too High"	"Main Fan Default"	
"Lamp Life Over"	"Ignitor Fan Default"	

"SENSOR" FUNCTION - INFORMATION MESSAGES
"Ignitor Fan Speed in RPM"
"Lamp Flux"
"Lamp House Temperature"
"Gel Holder Fan Speed in RPM"
"Mains Voltage"
"Ballast Temperature"
"CPU Temperature"
"12V - PSU"
"5V PSU"
"AUX 5V - PSU"

Table des matières

1	Instructions d'utilisation	1
2	Présentation	2
	2.1 Fonctions	2
	2.2 Plaque d'identification	3
	2.3 Accessoires inclus	3
	2.4 Accessoires optionnels	4
3	Installation	5
	3.1 Mécanique	5
	3.1.1 Positions d'utilisation	5
	3.1.2 Distance minimale entre l'appareil et une matière inflammable	5
	3.1.3 Conditions d'utilisation	5
	3.1.4 Manutention	5
	3.1.5 Levage	5
	3.1.6 Mise sur pied	6
	3.1.7 Câble de sécurité	6
	3.1.8 Contrepoids interne réglable	6
	3.2 Lampe	7
	3.2.1 Lampe compatible	7
	3.2.2 Mise en place de la lampe	7
	3.3 Electrique	8
	3.3.1 Alimentation	8
	3.3.2 Data	9
4	Opération	11
	4.1 Mécanique	11
	4.1.1 Intensité lumineuse : obturateur	11
	4.1.1.1 Etendue	11
	4.1.1.2 Contrôle	11
	4.1.2 Ajustement de la taille du faisceau	11
	4.1.2.1 Etendue	11
	4.1.2.2 Contrôle	12
	4.1.3 Orientation : PAN/TILT	12
	4.1.3.1 Etendue	12
	4.1.3.2 Contrôle	12
	4.1.4 Contrôle de la forme faisceau : Iris	13
	4.1.4.1 Etendue	13
	4.1.4.2 Contrôle	13
	4.1.5 Contrôle de la forme faisceau : Guillotine	13
	4.1.5.1 Etendue	13
	4.1.5.2 Contrôle	13
	4.1.6 Contrôle de la forme faisceau : Gobo	14
	4.1.6.1 Dimension	14
	4.1.6.2 Contrôle & Installation	14
	4.1.7 Couleur	14
	4.1.7.1 Etendue	14
	4.2 Panneau de contrôle	15
	4.2.1 Afficheur et touches	15
	4.2.2 Menus et paramètres	15
	4.2.3 Menus et paramètres pour option obturateur DMX	24
	4.2.4 Tableau DMX	25
5	Maintenance	26
	5.1 Maintenance préventive	26
	5.1.1 Fréquence	26
	5.1.2 Nettoyage général	26
	5.1.3 Vérification visuelle générale	26
	5.1.4 Optique	26
	5.1.5 Retirer l'alimentation électronique de l'appareil	26
	5.2 Analyse	27
	5.3 Protection thermique	27
	5.4 Nomenclature / Pièces détachées	27
6	Dépannage	28
	6.1 Informations générales	28
	6.2 Écrans messages d'erreur :	28
7	RDM	36
	7.1 Le RDM – qu'est-ce que c'est ?	36
	7.2 Exigences spécifiques RDM	36
	7.3 Liste des fonctions RDM :	36

1 Instructions d'utilisation

CONSIGNES GÉNÉRALES

1. Impropre à l'usage domestique.
2. Matériel professionnel : intervention par technicien qualifié uniquement.
3. Outre les consignes d'utilisation figurant dans la présente notice, vous devrez respecter les prescriptions générales de sécurité et de prévention des accidents édictées par le législateur.
4. L'appareil auquel est attachée cette notice rentre dans la section 17 - Luminaires pour éclairage de scènes de théâtre, des studios de télévision, de cinéma et de photographie. NF EN 60598-1 et NF EN 60598-2-17.
5. Ces appareils sont considérés IP20.

PROJECTEUR

6. Attention : isoler électriquement avant toute intervention.
7. Veiller à ce que le projecteur soit monté avec un support approprié.
8. Les écrans de protection, les lentilles ou les filtres doivent être remplacés s'ils sont visiblement endommagés au point que leur efficacité en soit diminuée, par exemple par des fêlures ou des rayures profondes.
9. En position suspendue (crochet, boulon...), l'appareil doit obligatoirement être assuré par une suspension auxiliaire (élingue, chaîne...) convenablement dimensionnée et ancrée à l'arrière de l'appareil.
10. La liaison devra être effectuée au plus court, au besoin avec plusieurs tours si la longueur de l'élingue ou de la chaîne le nécessite.
11. Les accessoires amovibles doivent également être assurés par une élingue de taille appropriée, ancrée à l'avant de l'appareil.
12. Tenir compte de leur poids pour la charge d'accrochage.
13. Ne pas ouvrir l'appareil sous tension.
14. Attention : Lampe et supports chauds. Attendre que l'appareil soit froid avant toute intervention.
15. Ne pas modifier la conception du luminaire ni aucune de ses caractéristiques de sécurité.
16. Serrez les connexions des câbles d'alimentation électriques régulièrement et le remplacer par un câble identique.

VENTILATION

17. Ne pas placer le projecteur à proximité de matière inflammable.
18. Ne pas utiliser à l'extérieur. Ne pas couvrir.
19. Pour éviter toute surchauffe de l'appareil, ne jamais boucher les passages d'air.
20. Si l'appareil comporte un ou plusieurs ventilateurs, vérifier qu'ils fonctionnent bien. Si un dysfonctionnement apparaît à ce niveau, éteindre immédiatement le projecteur et effectuer les réparations nécessaires.

LAMPE

21. Contrôler que la tension de la lampe correspond bien à la tension secteur de l'installation.
22. Ne pas utiliser de lampes de type différent ou de puissance supérieure à celle indiquée.
23. Remplacer toute lampe endommagée ou déformée par la chaleur.
24. Ne pas mettre sous tension sans lampe en place.

NETTOYAGE

25. Ne pas toucher les lampes et l'intérieur des miroirs avec les doigts.
26. Nettoyer les lentilles et les lampes avec de l'alcool.
27. Dépoussiérer régulièrement les miroirs avec un chiffon doux, sec et propre.
28. Si l'appareil comporte des filtres, les dépoussiérer régulièrement.

ALIMENTATION

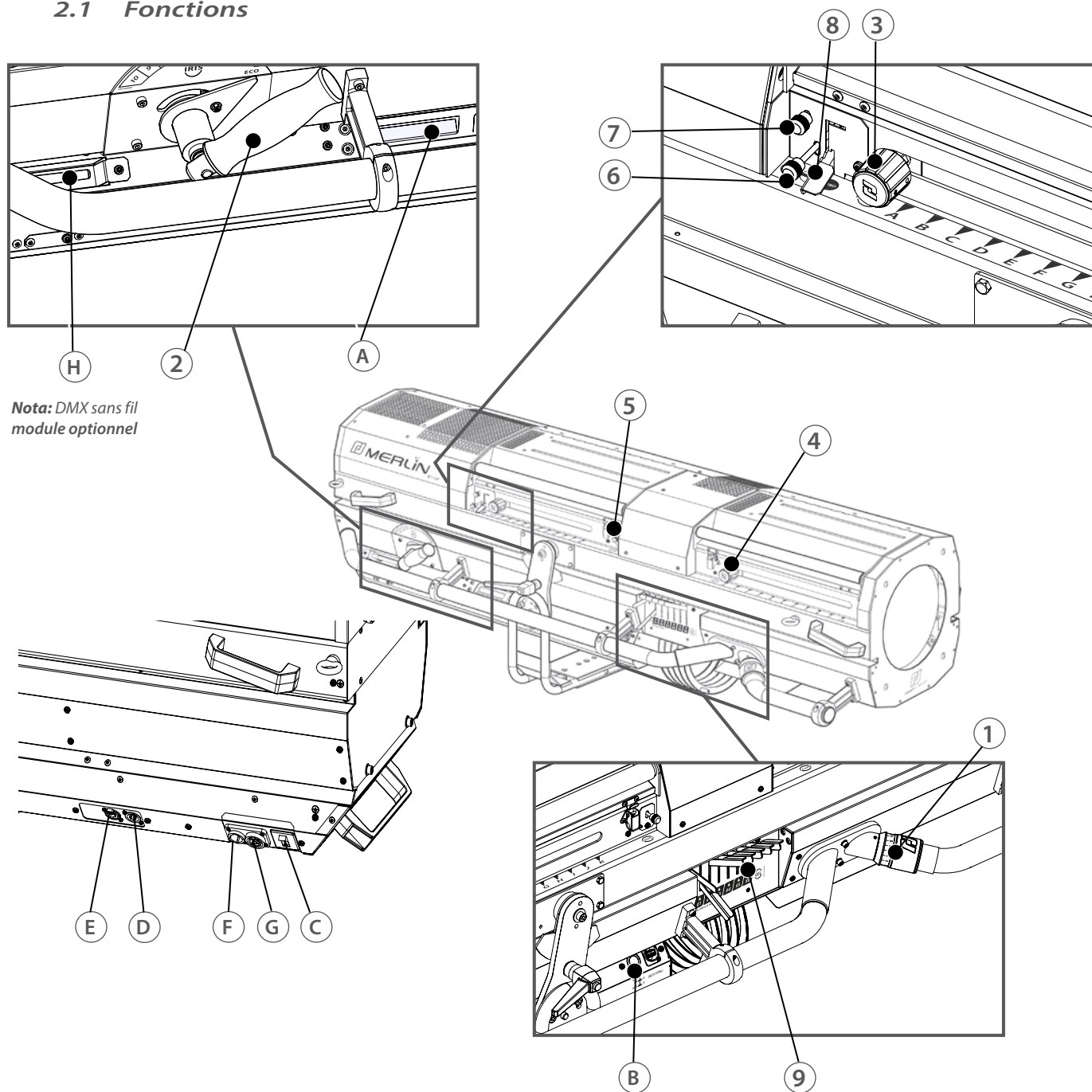
29. Isoler électriquement avant toute intervention.
30. Raccordement direct secteur. Ne pas raccorder sur une sortie "électronique" (gradateur, relais statique...)
31. Ne pas utiliser à l'extérieur, ne pas couvrir.
32. Vérifier que les disjoncteurs de l'alimentation sont toujours accessibles.

REMARQUE

Appareils réalisés en conformité avec les directives européennes de normalisation appliquées au matériel d'éclairage professionnel. Toute modification du produit dégage la responsabilité du constructeur.

2 Présentation

2.1 Fonctions



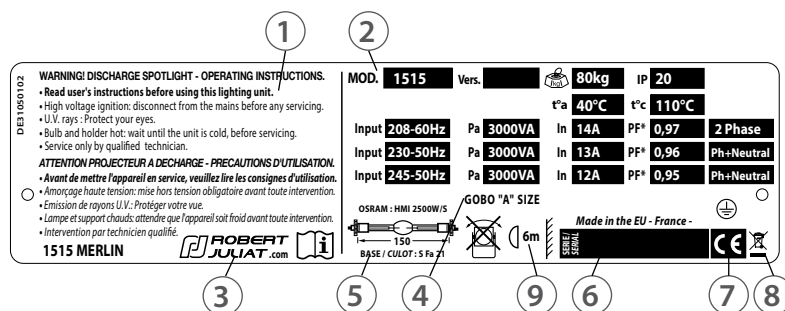
Fonctions

- | | |
|---|--|
| 1. Obturateur | A. Affichage |
| 2. Iris | B. Bouton d'allumage/extinction de la lampe et fonction Eco Mode |
| 3. Focus | C. Interrupteur principal |
| 4. Zoom | D. Entrée DMX |
| 5. Dépoli (Frost) | E. Sortie DMX |
| 6. Guillotine horizontale | F. Connecteur principal PowerCON TRUE-1 |
| 7. Guillotine verticale | G. Connecteur auxiliaire (max. 3A) |
| 8. Porte-gobo | H. Compartiment pour module DMX sans fil |
| 9. Changeur de couleurs de type boomerang | |

2.2 Plaque d'identification

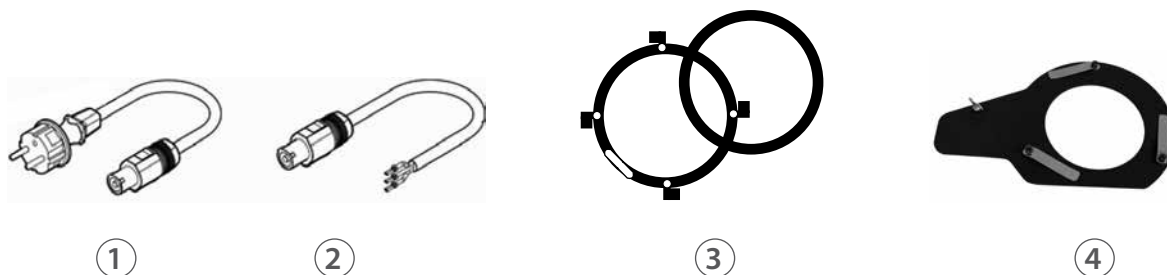
Unités utilisées :

- Dimensions = mètre (m) millimètre (mm).
- Poids = kilogramme (kg).
- Intensité = Ampère (A)
- Tension = Volt (V).
- Fréquence = Hertz (Hz).
- Température = degré Celsius (°C)

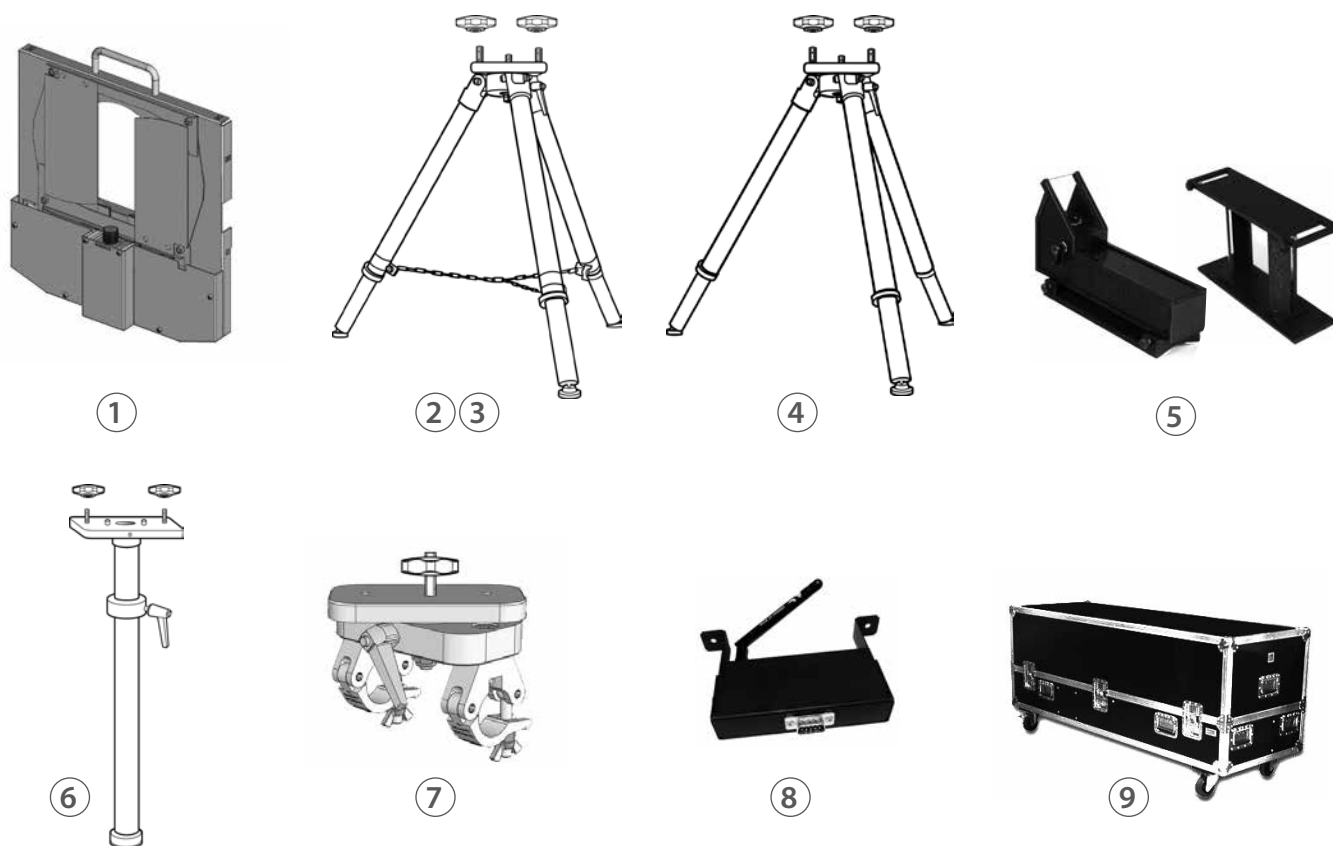


Description	
<p>1 - Consignes d'utilisation</p> <p>2 - Référence du projecteur & caractéristiques techniques :</p> <ul style="list-style-type: none"> - MOD. = modèle de l'appareil - VERS. = Version de l'appareil <p> - Poids net</p> <ul style="list-style-type: none"> - IP = Indice de protection international - t°a = Température ambiante - t°c = Température maximale extérieure de la carrosserie 	<ul style="list-style-type: none"> - Pa = Puissance absorbée - In = Tension nominale - PF = Facteur de puissance <p>3 - Sigle, nom du constructeur et origine du produit</p> <p>4 - Taille du gobo = « A »</p> <p>5 - Référence de la lampe</p> <p>6 - Numéro de série</p> <p>7 - Conformité européenne</p> <p>8 - Marquage directive DEEE</p> <p>9 - Distance minimale d'une matière inflammable par rapport à l'appareil</p>

2.3 Accessoires inclus



	Référence	Description
1	FJUC000112	Cordon d'alimentation avec fiche CEE 7/7 (version standard)
2	FJUC000113	Cordon d'alimentation UL/CSA sans fiche (version nord-américaine)
3	PF1011	Porte-filtre métal diam. 210 mm
4	SGUM	Porte-gobo universel taille "A" (métal ou verre)



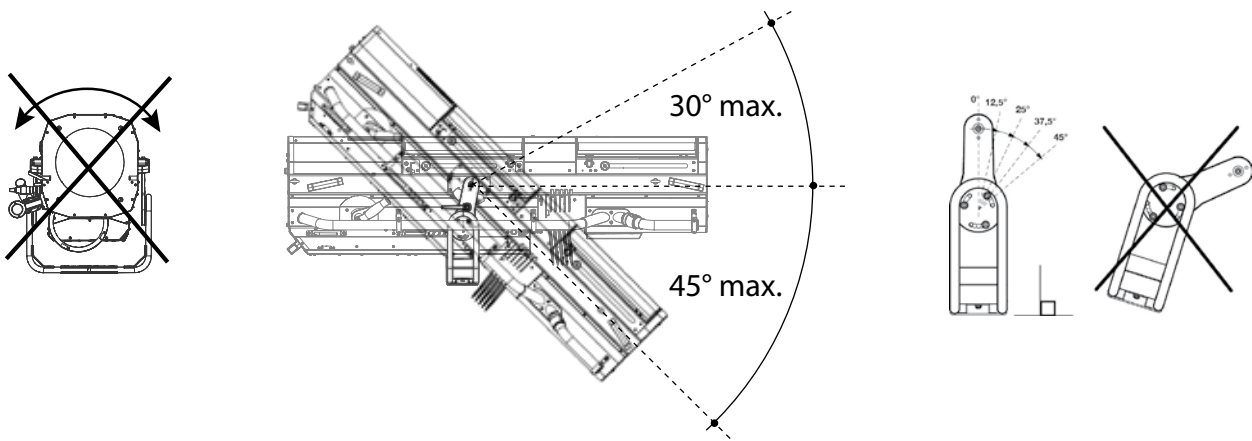
	Référence	Description
1	MOMM	Module obturateur mécanique motorisé
2	GT4000	Trépied avec chaînette de sécurité – CMU = 130 Kg – hauteur max. : 1030 mm
3	GT4000R	Trépied, tête montée sur roulement à billes, avec chaînette de sécurité - CMU = 130 Kg – hauteur max. : 1030 mm
4	GT4000S	Trépied sans chaînette de sécurité – CMU = 130 Kg – hauteur max. : 1030 mm
5	TELRAD	Viseur de poursuite TELRAD avec extension
6	JPP	Jambe pour projecteur de pont
7	T4000	Support poursuite pour structure Ø 50 mm (suspension ou appui) – CMU = 100 Kg
8	Kit W-DMX/M	DMX sans fil W-DMX
9	FC30000020	Flight-case pour gamme Tournée

3 Installation

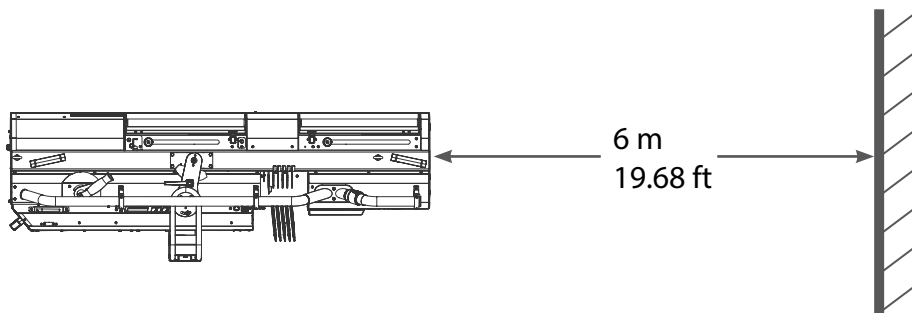


3.1 Mécanique

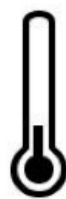
3.1.1 Positions d'utilisation



3.1.2 Distance minimale entre l'appareil et une matière inflammable



3.1.3 Conditions d'utilisation



Minimum :
5°C
41°F

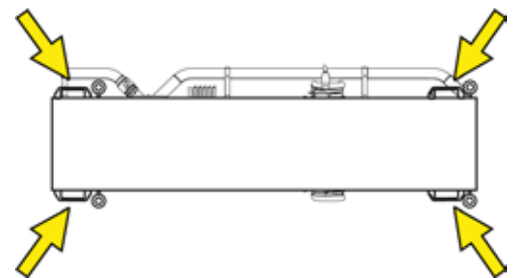


Maximum :
40°C
104°F

Indice de Protection international:
IP20 – Utilisation intérieure uniquement

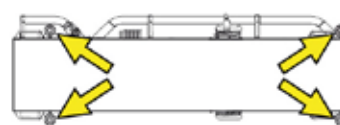
3.1.4 Manutention

- Poids net :
Projecteur avec alimentation = 80 kg (176,37 lbs)



3.1.5 Levage

Conformément à la réglementation en vigueur, il convient d'utiliser les moyens de levage appropriés et de respecter les consignes de sécurisation de l'appareil.



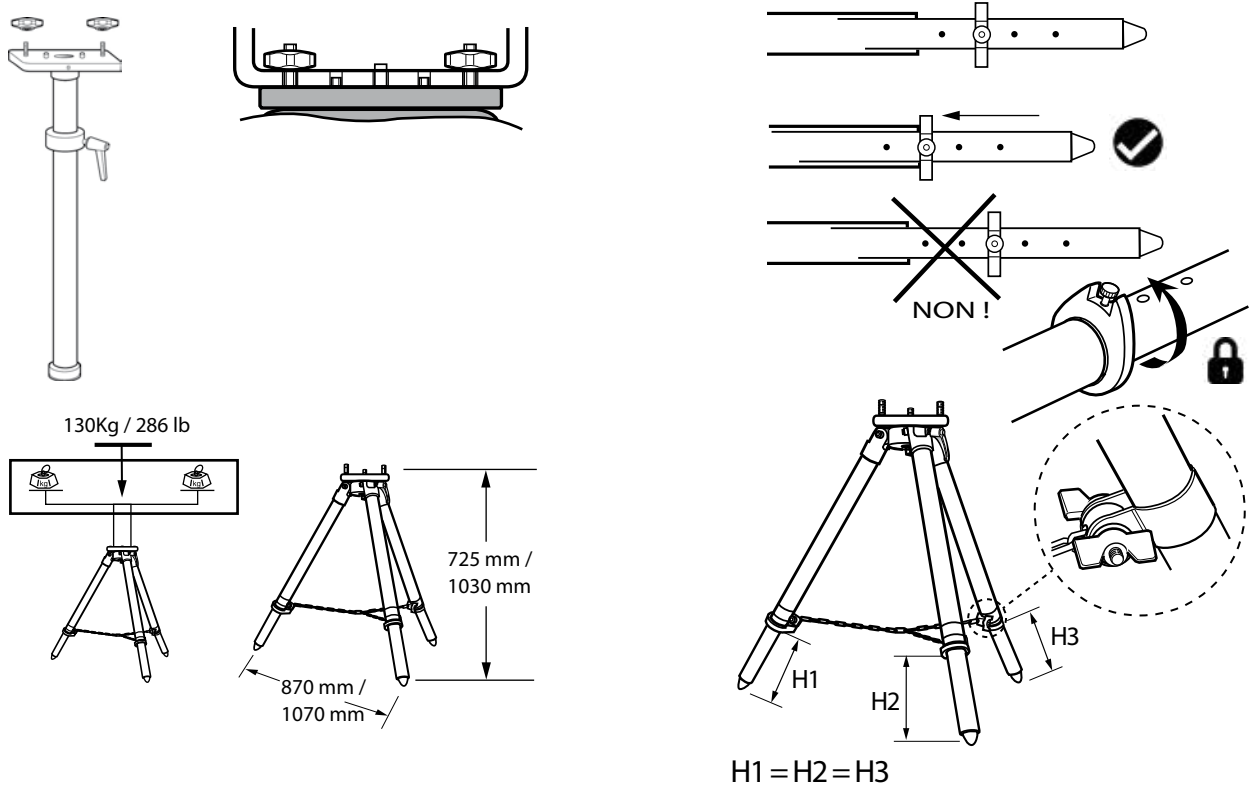
Horizontal



Vertical

3.1.6 Mise sur pied

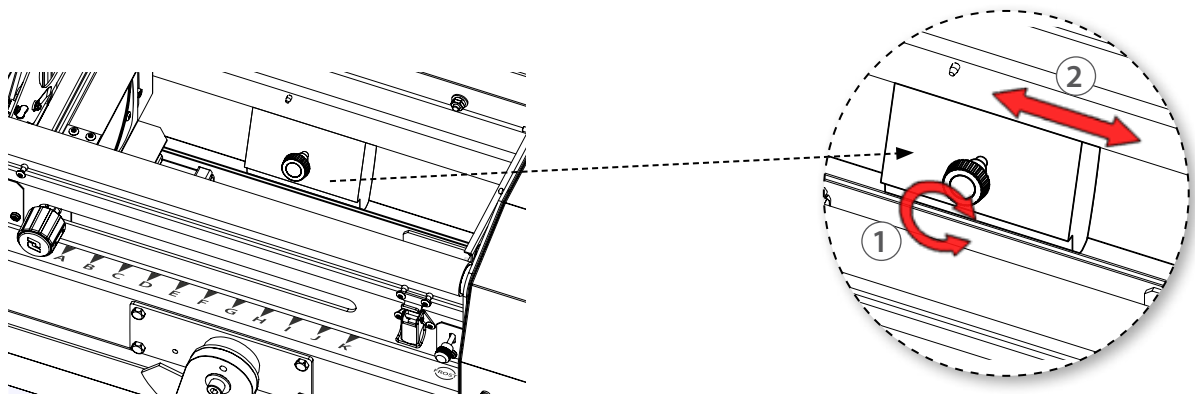
- Pieds compatibles : GT4000, GT4000R, GT4000S & JPP.



3.1.7 Câble de sécurité

- Le poids total de l'appareil et de ses accessoires doit être pris en compte lors du choix de la capacité de charge des câbles/chaînes de sécurité ou de liaison.
- Les câbles/chaînes de sécurité et/ou de liaison doivent être correctement attachés aux anneaux de levage. La liaison doit être effectuée au plus court, au besoin avec plusieurs tours si la longueur de l'élingue ou de la chaîne le nécessite.

3.1.8 Contrepoids interne réglable



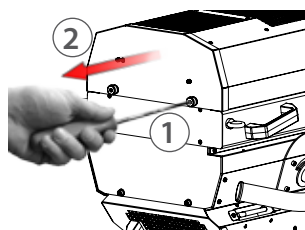
3.2 Lampe

3.2.1 Lampe compatible

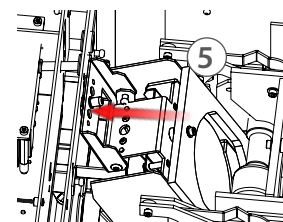
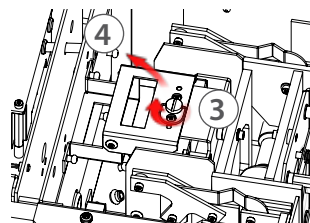
Lampe compatible							
Model	Code NAED	Douille	Tension	Puissance	Flux	Température de couleur	Durée vie
OSRAM HMI 2500W/S XS	54068-3	SFa 21-12	115 V	2500 W	240 000 lm	6 000 K	500 h

3.2.2 Mise en place de la lampe

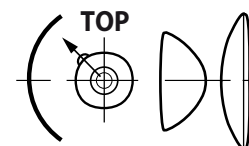
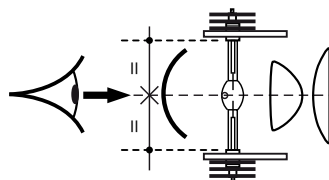
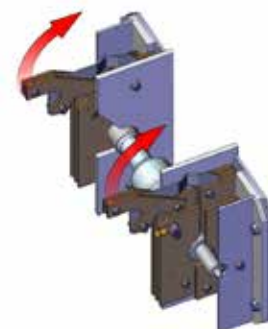
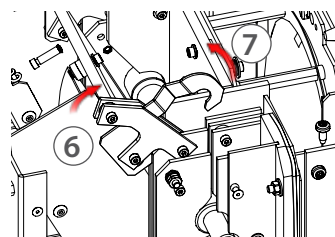
- Desserrer les vis de sécurité ① & ②



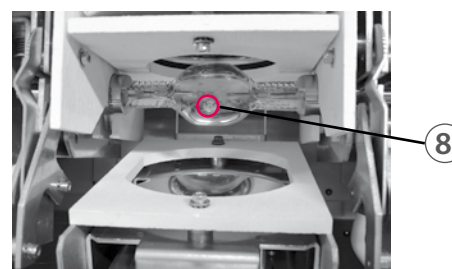
- Basculer le support du miroir ③ & ④



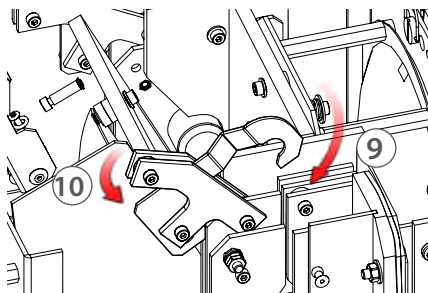
- Déverrouiller les mâchoires ⑥ en les relevant vers le haut ⑦



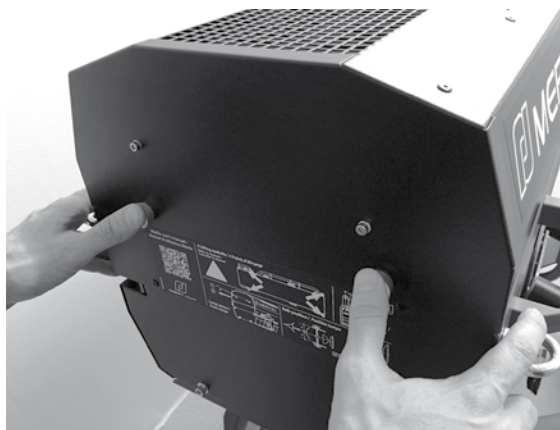
- Mettre la lampe en place et la centrer ⑧



- Refermer les mâchoires en les inclinant vers le bas




- Remettre le capot en place et appuyer sur les vis de sécurité pour les verrouiller

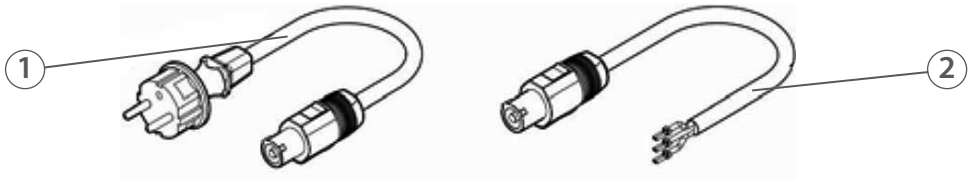


3.3 Electrique


3.3.1 Alimentation

Puissance			
Tension	Fréquence	Puissance d'entrée	Connecteurs
195 ---->265 V	50-60 Hz	12 A / 3000 VA @ 230V 13 A / 3000 VA @ 245V 14 A / 3000 VA @ 208V Max. 16 A Mode veille : 30 W	Neutrik powerCON TRUE1 réf. NAC3PX (max. 20A)
 <ul style="list-style-type: none"> • Matériel de classe 1. Mise à la terre obligatoire. • Doit être raccordé à une alimentation AC. Ne pas raccorder à une source graduable. • Reconnaissance automatique de tension. • Protection thermique : 20A. • Alimentation auxiliaire : Max 3A. • Alimentation USB : Max 5V (1A). 			

Cordon d'alimentation

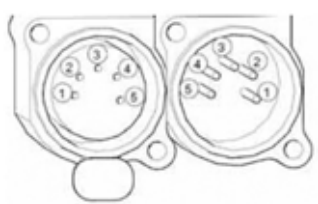


Cordon		Connecteur projecteur	Fiche d'alimentation	Câble	Longueur	Câblage
1	Version standard	Neutrik® powerCON TRUE1 NAC3FX	CEE7/7	3G1.5 H07RNF	3 m 9.8 ft	Phase: marron Neutre: bleu Terre: jaune/vert
2	Version nord-américaine		-	14AWG SJ TYPE (UL/CSA)	1.5 m 4.9 ft	Phase: noir Neutre: blanc Terre : vert

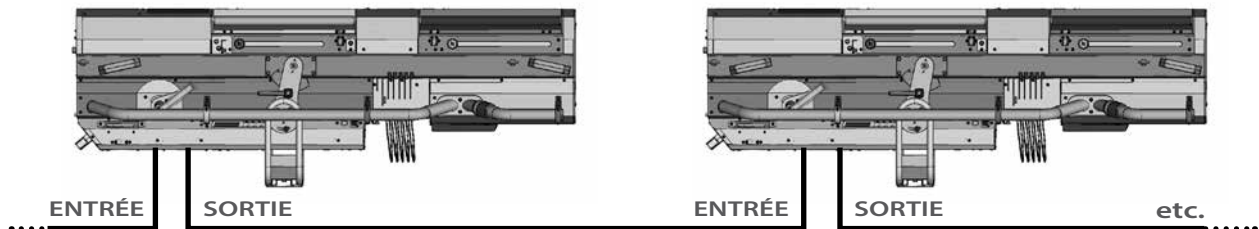


3.3.2 Data

DATA		
Protocole	Connecteur d'entrée	Connecteur de sortie
USITT DMX 512-A	XLR 5-pin	XLR 5-pin

DATA connecteurs			
PIN #	DMX	Description	
1	Masse	Tresse métallique	
2	DMX (-)	1er conducteur de la paire torsadée 1	
3	DMX (+)	2e conducteur de la paire torsadée 1	
4	Non utilisé	1er conducteur de la paire torsadée 2	
5	Non utilisé	2e conducteur de la paire torsadée 2	

Daisy chain:

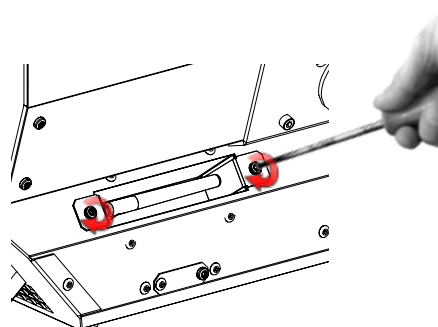
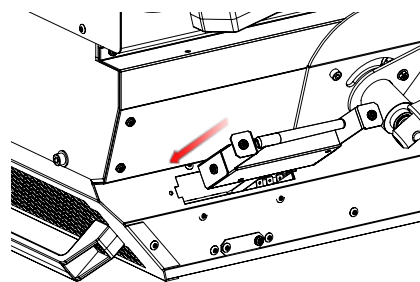


Bouchon de terminaison incorporé:

Si aucun connecteur XLR n'est mécaniquement détecté sur la sortie DMX OUT, un bouchon de terminaison (120Ω) est automatiquement activé. Il n'est donc pas nécessaire d'ajouter un bouchon de terminaison sur le dernier appareil.

Option DMX sans fil

- Protocole: Wireless Solution W-DMX™
- Se référer au manuel d'utilisation du fabricant pour les préconisations générales et l'utilisation de l'émetteur : <http://www.wirelessdmx.com>
- L'antenne doit être si possible visible depuis l'émetteur
- Cf. *MENU* pour activation
- **Ne pas raccorder de câble data DMX IN si utilisation DMX sans fil**
- Si détection d'erreur de protocole, le DMX sans fil est désactivé automatiquement. Pour réactiver le DMX sans fil, déconnecter le câble data DMX IN, éteindre puis rallumer l'appareil
- Installation : Retirer le bloc d'alimentation de la poursuite. Insérer le module DMX sans fil W-DMX dans le logement prévu à cet effet puis reconnecter l'alimentation.



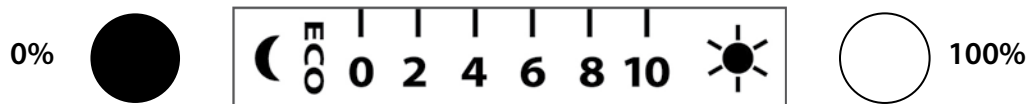
4 Opération

4.1 Mécanique

4.1.1 Intensité lumineuse : obturateur

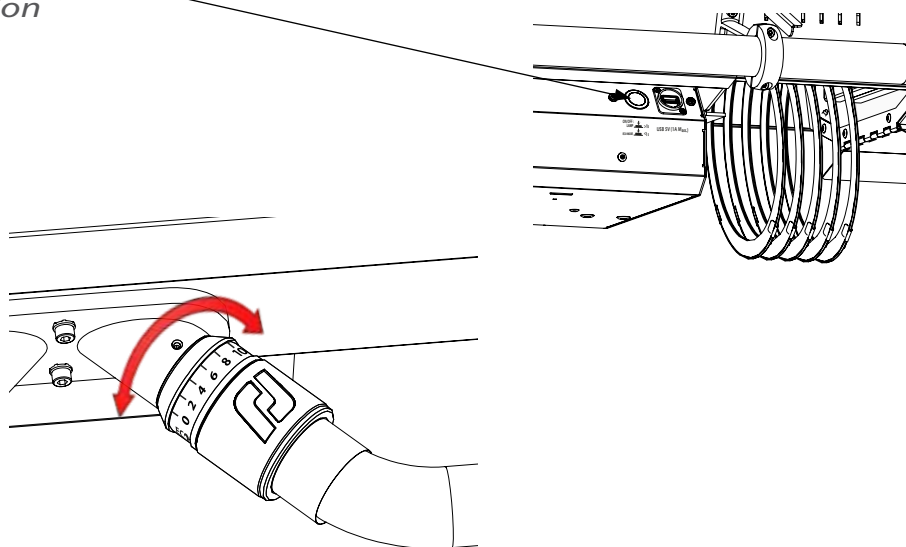
4.1.1.1 Etendue

- Gradation



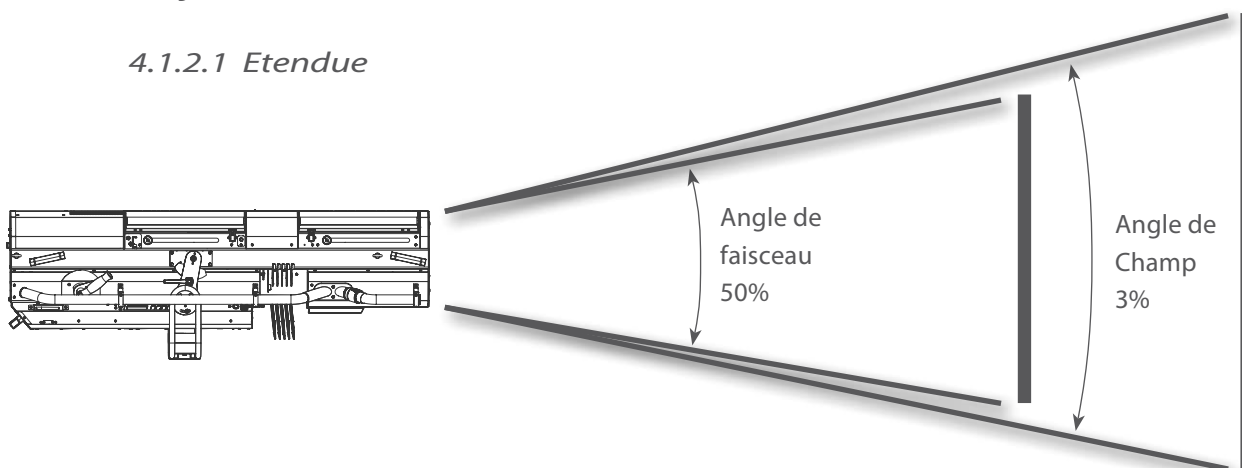
- **Eco-Mode** : Le sigle "ECO" permet d'activer la fonction Eco-Mode :
 - Active le compte-à-rebours (3 ou 15 minutes) avant mise en veille à 50%
 - Le bouton "ON/OFF" permet d'activer la mise en veille à 50% de l'alimentation

4.1.1.2 Contrôle



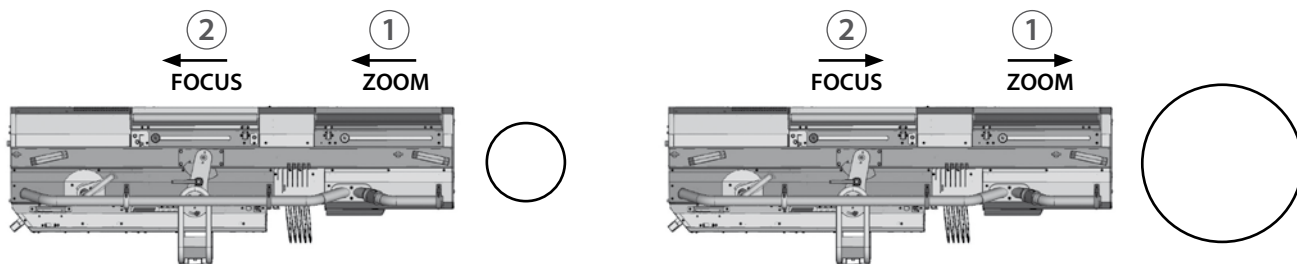
4.1.2 Ajustement de la taille du faisceau

4.1.2.1 Etendue



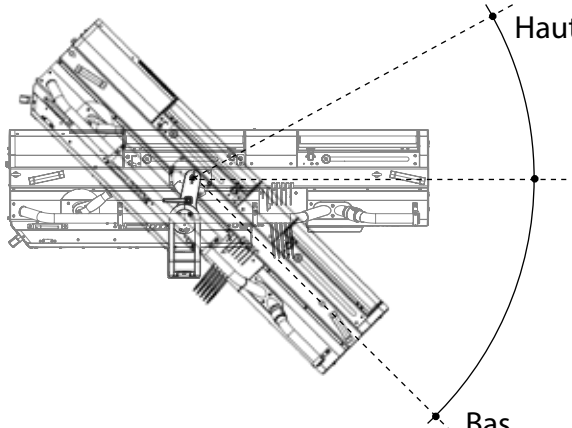
Modèle	Angles	Angle minimal	Angle maximal
1515	Angle de faisceau	3.4°	10.6°
	Angle de champ	3.5°	12.1°

4.1.2.2 Contrôle

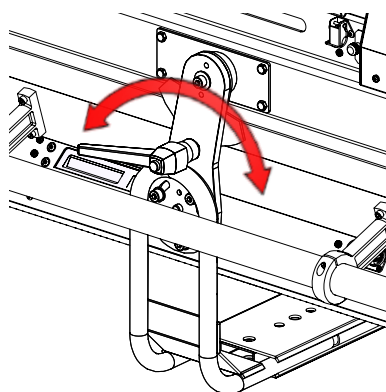


4.1.3 Orientation : PAN/TILT

4.1.3.1 Etendue

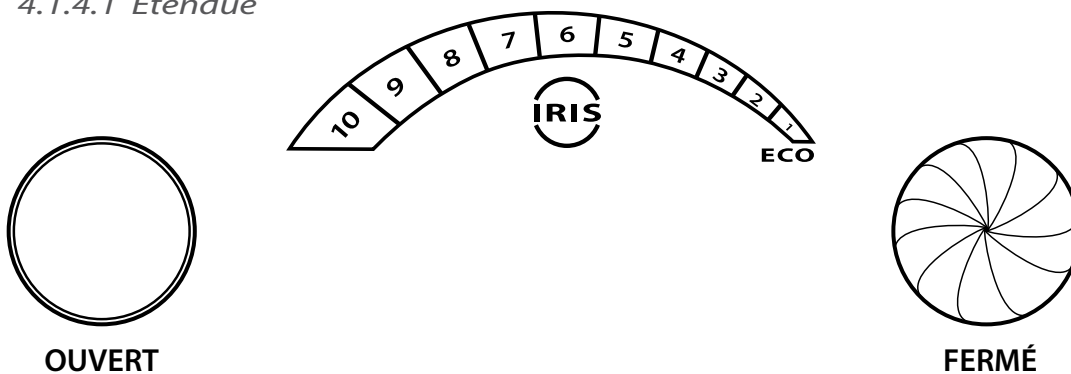
Fonction	Etendue
PAN	0 → 360°
TILT	 <p>Tilt haut = 0 → 30° Tilt bas = 0 → 45°</p>

4.1.3.2 Contrôle



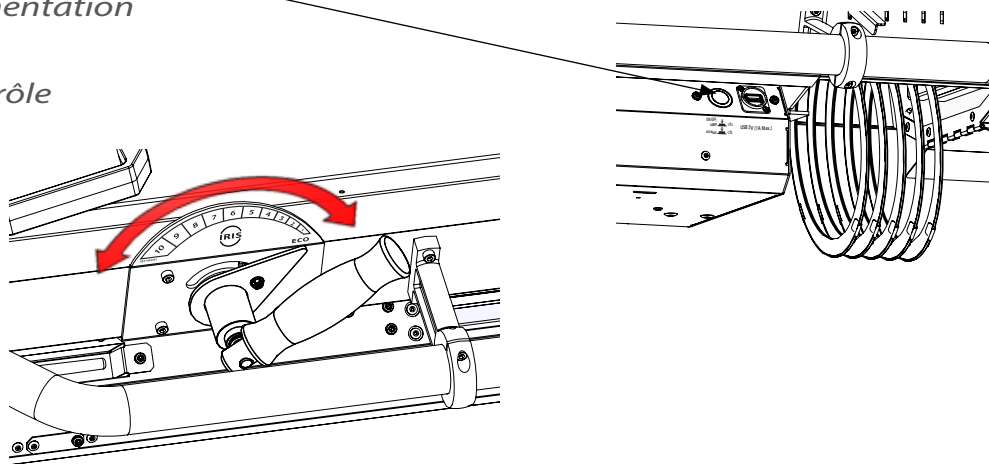
4.1.4 Contrôle de la forme faisceau : Iris

4.1.4.1 Etendue



- **Eco-Mode** : Le sigle "ECO" permet d'activer la fonction Eco-Mode :
 - Active le compte-à-rebours (3 ou 15 minutes) avant mise en veille à 50%
 - Le bouton "ON/OFF" permet d'activer la mise en veille à 50% de l'alimentation

4.1.4.2 Contrôle



4.1.5 Contrôle de la forme faisceau : Guillotine

4.1.5.1 Etendue

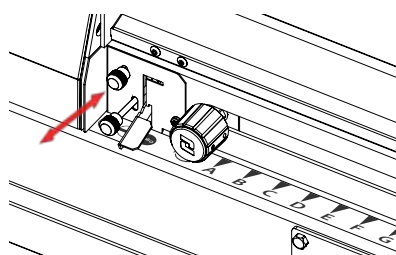
- **Horizontale**



- **Verticale**

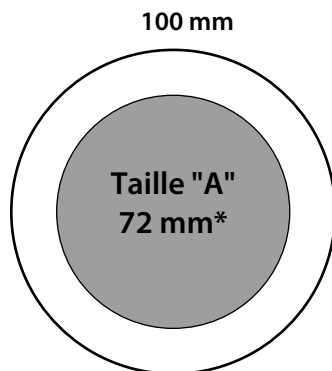


4.1.5.2 Contrôle



4.1.6 Contrôle de la forme faisceau : Gobo

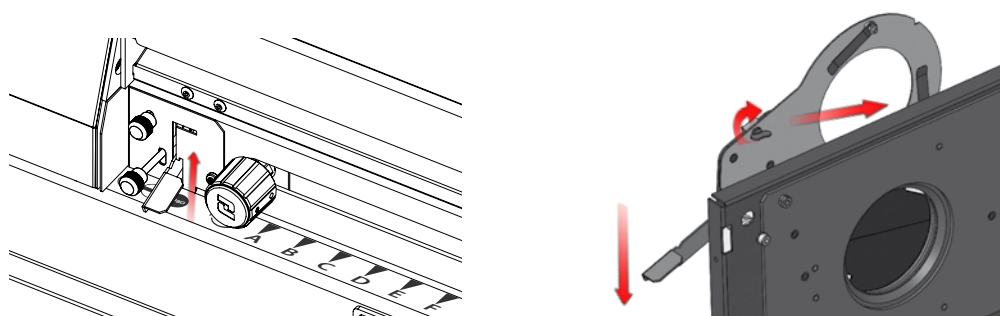
4.1.6.1 Dimension



Métal et verre

(*) Taille maximale de l'image

4.1.6.2 Contrôle & Installation



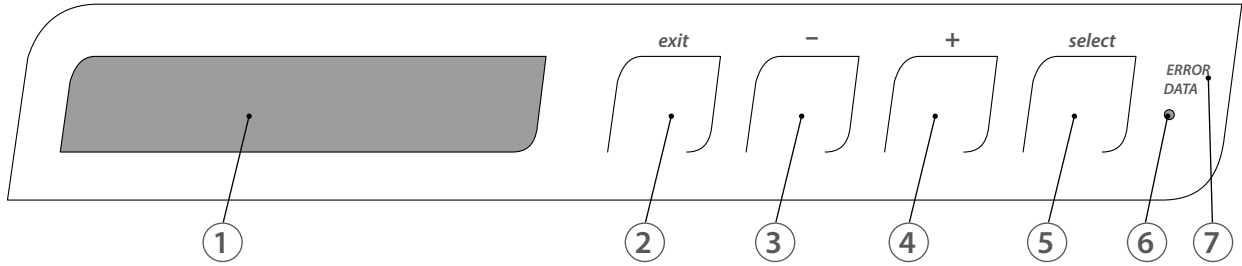
4.1.7 Couleur

- Couleurs fixes : placer les couleurs foncées vers l'arrière de l'appareil

4.1.7.1 Etendue

Type	Filtere gélatine couleur standard
Dimension 210 mm	<p>Installation : appuyez fermement jusqu'au déclenchement du "click".</p>

4.2.1 Afficheur et touches



Fonction	
1	Afficheur LCD
2	Sortie du menu et/ou retour en arrière
3	Défilement des menus et/ou diminution des valeurs sélectionnées
4	Défilement des menus et/ou augmentation des valeurs sélectionnées
5	Sélection du menu et/ou validation
6	N/A
7	Voyants d'état système et DMX

4.2.2 Menus et paramètres ¹

Ecrans d'initialisation (au démarrage)

MERLIN SN:XXXXXXXXX
MAINS OK

MERLIN SN:XXXXXXXXX
LAMP OK

MERLIN SN:XXXXXXXXX
SAFETY OK

MERLIN SN:XXXXXXXXX
TEMPERATURE OK

MERLIN SN:XXXXXXXXX
FAN OK

MERLIN SN:XXXXXXXXX
FUSES OK

MERLIN SN:XXXXXXXXX
POWER SUPPLY OK

MERLIN SN:XXXXXXXXX
DMX DIMMER OK

MERLIN SN:XXXXXXXXX
FIRMWARE VX.XX

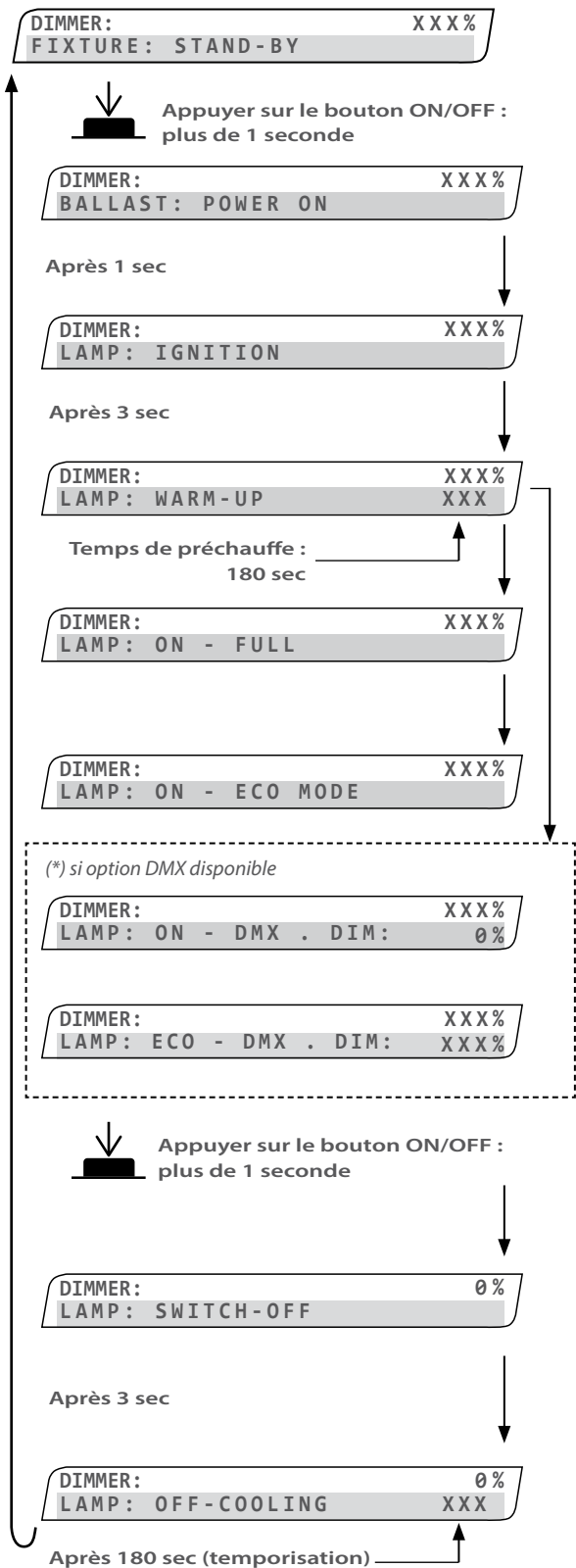
Ecrans d'initialisation après l'allumage de l'appareil :

Ecrans d'initialisation (au démarrage)

Nom	MERLIN
SN	Numéro de série
MAINS	État sur la tension principale
LAMP	État de la lampe
SAFETY	État des commutateurs de sécurité et de protection thermique
TEMPERATURE	État des capteurs de température
FAN	État des ventilateurs
FUSES	État des fusibles
POWER SUPPLY	État de l'alimentation interne
DMX DIMMER	État de l'obturateur
FIRMWARE	Version du micrologiciel

¹ Avec paramètres par défaut

Niveau 0 – Appareil en mode veille



Niveau 0 - FIXTURE ERROR



Se référer à la page FR-27 pour plus de détails

Avertissement : si un message d'erreur apparaît, il est nécessaire d'appuyer sur le bouton ON/OFF pour pouvoir continuer à utiliser la poursuite (cette action permet de signifier à l'appareil que l'utilisateur a pris connaissance du message).

Procédure : se reporter à FIXTURE STATUS, page FR-21

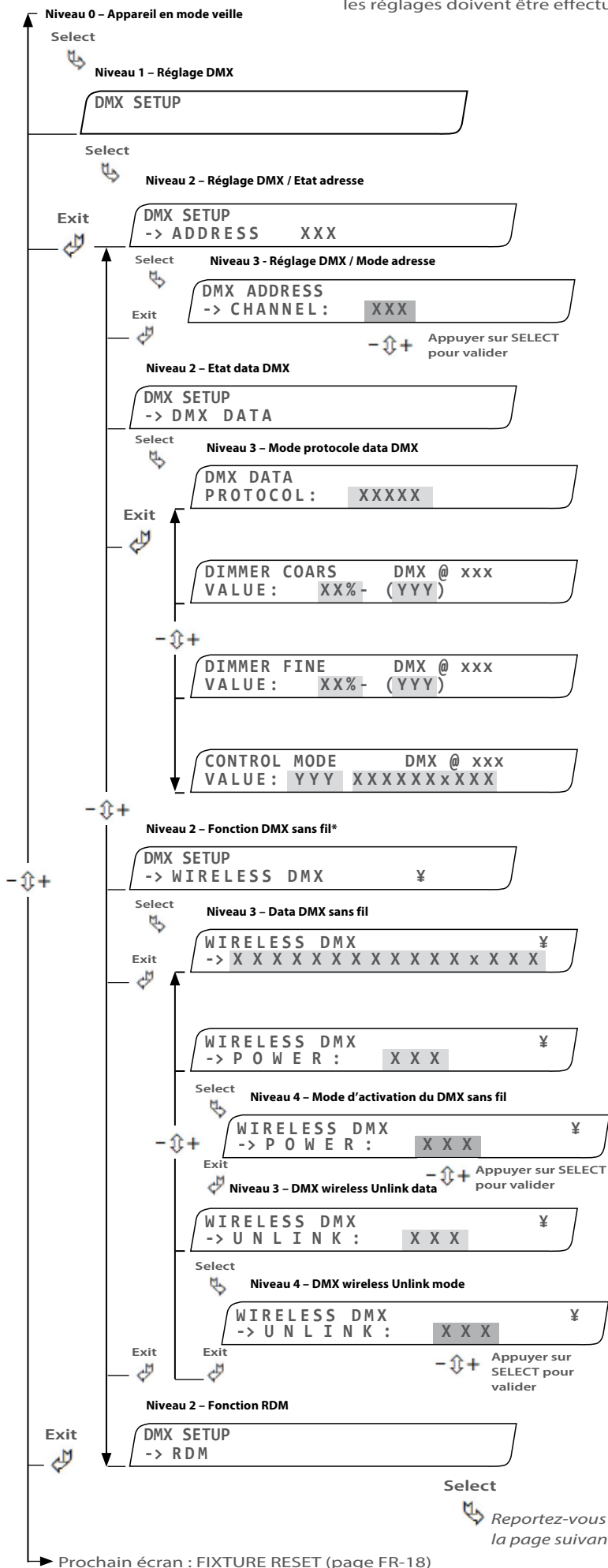
<-- Ecran de mise en veille (après 30 secondes d'inactivité)

Fonctions système (niveau 0)

DIMMER	État de l'obturateur
FIXTURE	Poursuite en mode veille
BALLAST	Tension : OK ERROR WARNING
LAMP	État démarrage : OK ERROR WARNING
LAMP	État préchauffage : OK ERROR WARNING
LAMP	Etat lampe allumée : OK ERROR WARNING
LAMP	État Eco Mode : OK ERROR WARNING
LAMP*	Etat lampe allumée, état obturateur DMX : OK ERROR WARNING
LAMP*	État Eco Mode, statut obturateur DMX : OK ERROR WARNING
LAMP	Etat lampe éteinte : OK ERROR WARNING
LAMP	État lampe éteinte, état refroidissement : OK ERROR WARNING
FIXTURE	État poursuite :ERROR (non corrigé)

Erreur Fonction (Niveau 0)

FIXTURE	État poursuite : ERROR (non corrigé) Se reporter à la section FIXTURE ERROR page FR-27
----------------	---



RÉGLAGE DMX

Fonction (Niveau 1)

DMX SETUP Mode réglage DMX

DMX ADDRESS (Niveau 2)

ADDRESS État adresse DMX

CHANNEL Sélectionner votre numéro de canal DMX

DMX DATA Fonction data DMX

DMX DATA PROTOCOL mode (Niveau 3)

PROTOCOL État protocole DMX : DMX | NONE | ERROR

VALUE DMX coarse value : niveau (%) et niveau (DEC)

VALUE DMX fine value : niveau (%) et niveau (DEC)

CONTROL MODE État mode de contrôle avec valeur et fonction

Fonction WIRELESS DMX (Niveau 2)

(* Avertissement : Le RDM doit être *inactif* pour utiliser la fonction sans fil

WIRELESS État DMX sans fil : OFF | ON | RDM ON*

DMX WIRELESS data (Niveau 3)

-> Valeurs du module DMX sans fil

POWER État DMX sans fil

DMX WIRELESS activation mode (Niveau 4)

POWER Mode fonction DMX sans fil : OFF | ON

DMX WIRELESS data (Niveau 3)

UNLINK État link/unlink DMX sans fil

DMX WIRELESS UNLINK mode (Niveau 4)

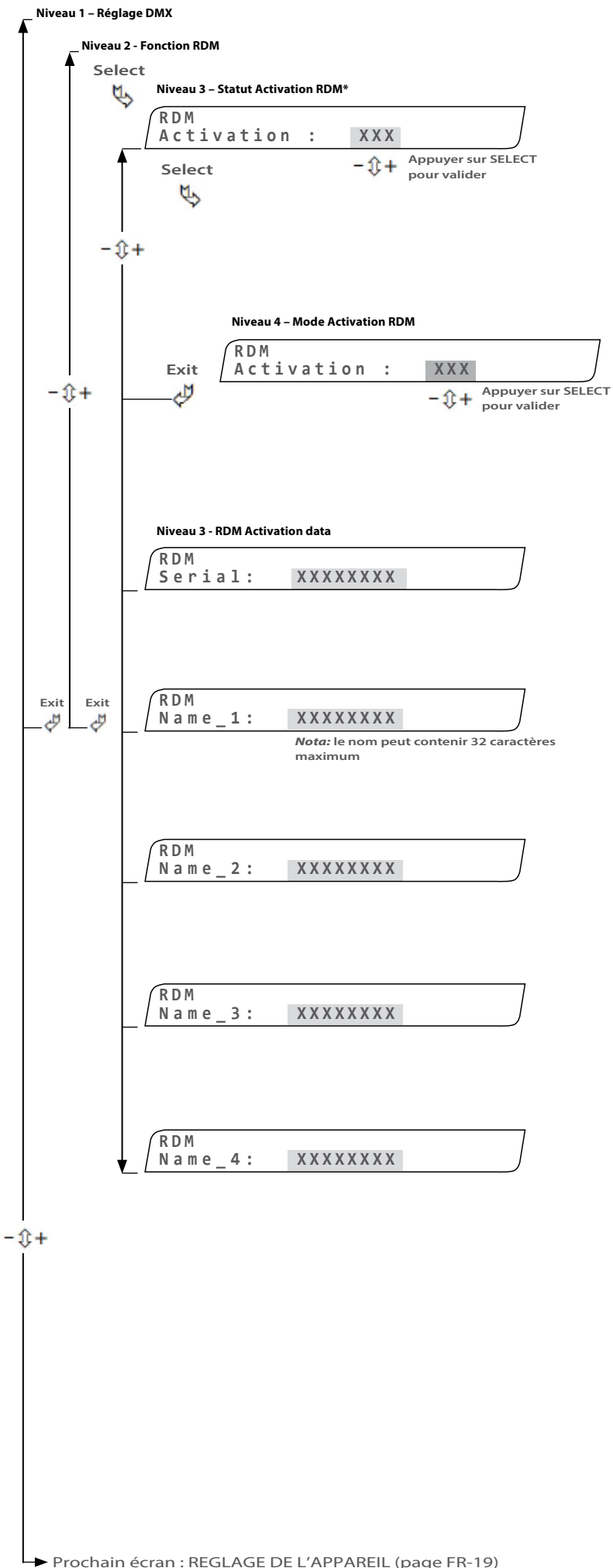
UNLINK Mode link/unlink DMX sans fil : OFF | ON

RDM function (Niveau 2)

RDM Mode Remote Device Management

Reportez-vous à la page suivante -->

Prochain écran : FIXTURE RESET (page FR-18)



Fonction Activation RDM (Niveau 3)

(*) **Avertissement : le DMX sans fil doit être désactivé pour utiliser la fonction RDM**

Activation Statut Activation RDM*

Mode Activation RDM (Niveau 4)

Activation Mode Activation RDM : OFF | ON | W-DMX ON

Données Activation RDM (Niveau 3)

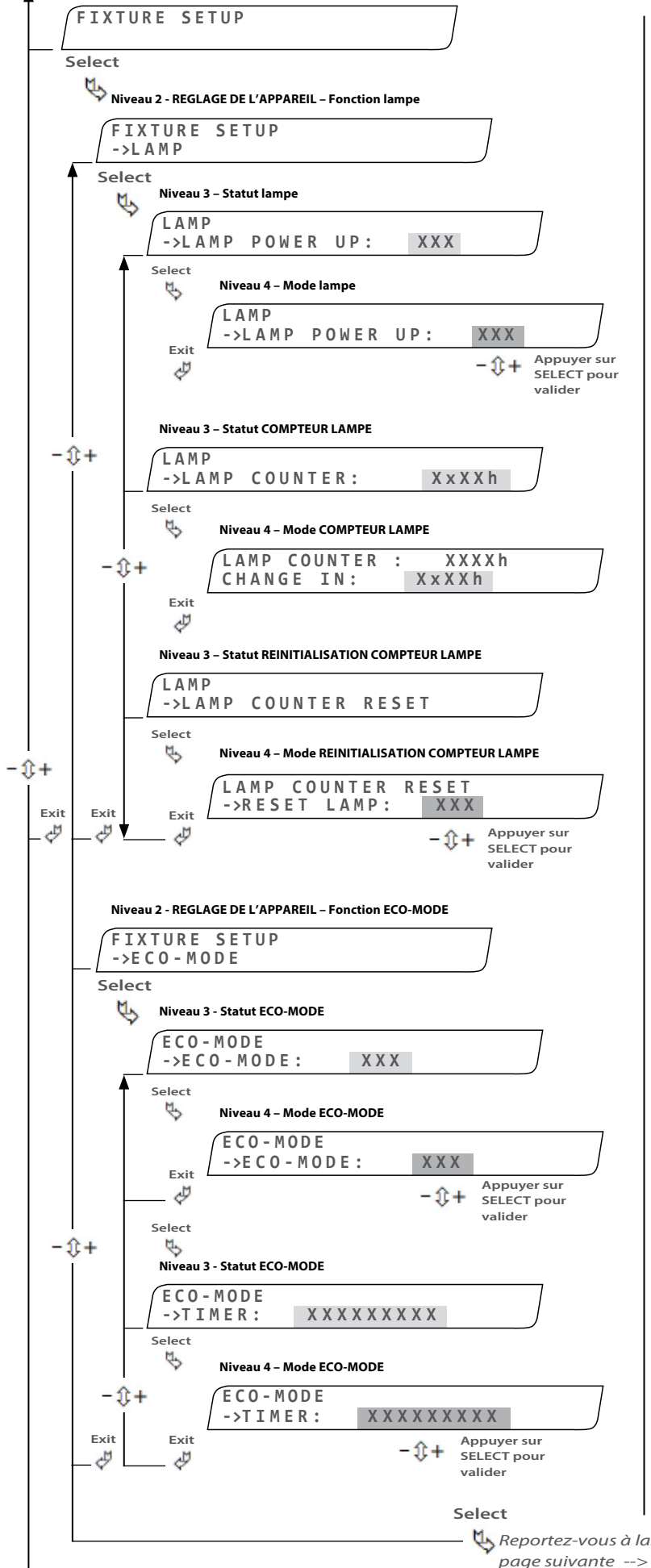
Serial Numéro de série

Name - 1 Affiche les 8 premiers caractères du nom de la poursuite

Name - 2 Affiche les 8 caractères suivants du nom de la poursuite

Name - 3 Affiche les 8 caractères suivants du nom de la poursuite

Name - 4 Affiche les 8 derniers caractères du nom de la poursuite



Fonctions de REGLAGE DE L'APPAREIL (Niveau 1)

FIXTURE SETUP	Permet de changer les fonctions de la poursuite
----------------------	---

REGLAGE DE L'APPAREIL - Lampe (Niveau 2)

LAMP	Fonction lampe
-------------	----------------

MISE SOUS TENSION DE LA LAMPE (Niveau 3)

POWER UP (Niveau 3)	Indique si la lampe doit être allumée ou éteinte quand la poursuite est sous tension
----------------------------	--

MISE SOUS TENSION DE LA LAMPE (Niveau 4)

POWER UP (Niveau 4)	Permet de régler le mode de la lampe : OFF ON
----------------------------	---

COMPTEUR DE LA LAMPE (Niveau 3)

LAMP COUNTER	Statut compteur de la lampe
---------------------	-----------------------------

Mode COMPTEUR DE LA LAMPE (Niveau 4)

CHANGE IN	Indications pour changement de lampe
------------------	--------------------------------------

Fonction de REINITIALISATION DU COMPTEUR DE LA LAMPE (Niveau 3)

COUNTER RESET	Fonction de réinitialisation du compteur de la lampe
----------------------	--

Mode de REINITIALISATION DU COMPTEUR DE LA LAMPE (Niveau 4)

CHANGE IN	Réinitialise le compteur de la lampe à « 0 » : NON OUI
------------------	--

REGLAGE DE L'APPAREIL - ECO-MODE (Niveau 2)

ECO-MODE (Niveau 2)	Fonction ECO-MODE
----------------------------	-------------------

MISE SOUS TENSION DE LA LAMPE (Niveau 3)

ECO-MODE (Niveau 3)	Indique si le mode ECO-MODE est activé ou non (ON ou OFF)
----------------------------	---

MISE SOUS TENSION DE LA LAMPE (Niveau 4)

ECO-MODE (Niveau 4)	Permet de régler le mode ECO-MODE : OFF ON
----------------------------	--

Fonction ECO-MODE - MINUTEUR (Niveau 3)

TIMER (Niveau 3)	Sélection du minuteur
-------------------------	-----------------------

Mode de REINITIALISATION DU COMPTEUR DE LA LAMPE (Niveau 4)

TIMER (Niveau 4)	Réglage du minuteur : OFF 3 minutes 15 minutes
-------------------------	--

Prochain écran : STATUT DE L'APPAREIL (page FR-21)

Niveau 1 – Fonctions REGLAGE DE L'APPAREIL

Niveau 2 - REGLAGE DE L'APPAREIL – Fonction DIMMER DMX

Select

Niveau 2 - REGLAGE DE L'APPAREIL – Fonction CONFIGURATION UTILISATEUR

FIXTURE SETUP
->USER CONFIGURATION

Select

Niveau 3 - CONFIGURATION UTILISATEUR – Statut SAUVEGARDE DES PARAMETRES

USER CONFIGURATION
->SAVE PARAMETERS XXX

Exit

Select

Niveau 4 - CONFIGURATION UTILISATEUR – Mode SAUVEGARDE DES PARAMETRES

USER CONFIGURATION
->SAVE PARAMETER XXX

Exit

- ⬆ ⬇ ⬆ + Appuyer sur SELECT pour valider

Niveau 1 – Fonctions STATUT DE L'APPAREIL

FIXTURE STATUS
X WARNING X ERROR(S)

Select

Niveau 2 - STATUT DE L'APPAREIL – Fonction DISJONTEUR PRINCIPAL

FIXTURE STATUS
->MAINS XXXXXXXX

Exit

Select

Niveau 3 - STATUT DU DISJONTEUR PRINCIPAL – Message d'erreur VOLTS AC

MAINS STATUS: XXX VOLTS AC
XXXXXXXXXXXXXXXXXXXXXXXXXXXX

Exit

Se référer à la page FR-27 pour plus de détails

Select

Niveau 2 - STATUT DE L'APPAREIL – Fonctions de la LAMPE

FIXTURE STATUS
->LAMP XXXXXXXX

- ⬆ ⬇ ⬆ +

Select

Niveau 3 - STATUT DE LA LAMPE Message d'erreur

LAMP STATUS: XXX
XXXXXXXXXXXXXXXXXXXXXXXXXXXX

Exit

Se référer à la page FR-28 pour plus de détails

Select

Niveau 3 – Statut COMPTEUR DE LA LAMPE

LAMP COUNTER: XXXXh
CHANGE IN: XXXXh

Niveau 3 – Statut COMPTEUR DE LA LAMPE (TOTAL)

TOTAL LAMP COUNTER
XXXXXh

- ⬆ ⬇ ⬆ +

Niveau 3 – Statut DETECTEUR LUMIERE

LIGHT SENSOR
LEVEL:XXX XXXXXXXX

Niveau 3 – Statut DETECTEUR BALLAST

BALLAST SENSOR
XXXXXXXX

Exit

Select

Reportez-vous à la page suivante -->

Prochain écran : REINITIALISATION DE L'APPAREIL (page FR-24)

REGLAGE DE L'APPAREIL – CONFIGURATION UTILISATEUR (Niveau 2)

USER CONFIGURATION Fonction configuration utilisateur

CONFIGURATION UTILISATEUR – PARAMETRES DE SAUVEGARDE (Niveau 3)

SAVE PARAMETERS (Niveau 3) Statut paramètres utilisateurs sauvegardés

CONFIGURATION UTILISATEUR – PARAMETRES DE SAUVEGARDE (Niveau 4)

SAVE PARAMETERS (Niveau 4) Permet de sauvegarder tous les paramètres utilisateur : NON | OUI

Fonctions STATUT DE L'APPAREIL (Niveau 1)

FIXTURE SETUP Avertissement poursuite et statut erreur

WARNING Vérifie toutes les fonctions et affiche le nombre d'avertissements

ERROR (S) Vérifie toutes les fonctions et affiche le nombre d'erreurs

STATUT DE L'APPAREIL - DISJONTEUR PRINCIPAL (Niveau 2)

MAINS Fonction disjoncteur principal : OK | WARNING | ERROR

STATUT DISJONTEUR PRINCIPAL – VOLTS AC (Niveau 3)

XXX Statut tension

Voltage Message Message d'erreur : se référer à la page FR-27 pour plus de détails

STATUT DE L'APPAREIL – LAMPE (Niveau 2)

LAMP Fonction lampe : OK | WARNING | ERROR

STATUT LAMPE (Niveau 3)

XXX Statut lampe : ON | OFF | ECO

Lamp Message Message d'erreur : se référer à la page FR-28 pour plus de détails

COMPTEUR LAMPE (Niveau 3)

XXXXh Compteur lampe

CHANGE IN Temps restant avant le changement de lampe

COMPTEUR LAMPE TOTAL (Niveau 3)

XXXXXh Compteur lampe total

DETECTEUR LUMIERE (Niveau 3)

LEVEL Numéro du niveau

LEVEL MESSAGE Statut du niveau : OK | WARNING | ERROR

DETECTEUR BALLAST (Niveau 3)

MESSAGE Statut ballast : OK | WARNING | ERROR

Niveau 1 – Fonctions STATUT DE L'APPAREIL

Niveau 2 – STATUT DE L'APPAREIL - Fonctions LAMPE

Niveau 2 - STATUT DE L'APPAREIL - Fonctions SÉCURITÉ

FIXTURE STATUS
->SAFETY XXXXXXXX

Select

Niveau 3 – LANterne Message d'erreur

LAMP HOUSE : XXXXXXXX
XXXXXXXXXXXXXXXXXXXXXXXXXXXX

Se référer à la page FR-28 pour plus de détails

Niveau 3 – ZOOM Message d'erreur

LENS TUBE : XXXXXXXX
XXXXXXXXXXXXXXXXXXXXXXXXXXXX

Se référer à la page FR-29 pour plus de détails

Niveau 2 - STATUT DE L'APPAREIL – Statut TEMPÉRATURE

FIXTURE STATUS
->TEMPERATURE XXXXXXXX

Select

Niveau 3 – ALIMENTATION Message d'erreur

BALLAST : XXX°C
XXXXXXXXXXXXXXXXXXXXXXXXXXXX

Se référer à la page FR-30 pour plus de détails

Niveau 3 – LANterne Message d'erreur

LAMP HOUSE : XXX°C
XXXXXXXXXXXXXXXXXXXXXXXXXXXX

Se référer à la page FR-30 pour plus de détails

Niveau 3 – CPU Message d'erreur

CPU : XXX°C
XXXXXXXXXXXXXXXXXXXXXXXXXXXX

Se référer à la page FR-31 pour plus de détails

Niveau 2 - STATUT DE L'APPAREIL – Statut VENTILATEUR

FIXTURE STATUS
->FAN XXXXXXXX

Select

Niveau 3 – LANterne Message d'erreur

LAMP HOUSE
XXXXXXXXXXXXXXXXXXXXXXXXXXXX

Se référer à la page FR-31 pour plus de détails

Niveau 3 – AMORCEUR Message d'erreur

IGNITOR : XXXX RPM
XXXXXXXXXXXXXXXXXXXXXXXXXXXX

Se référer à la page FR-32 pour plus de détails

Niveau 3 – GELATINES Message d'erreur

COLOUR GELS : XXXX RPM
XXXXXXXXXXXXXXXXXXXXXXXXXXXX

Se référer à la page FR-32 pour plus de détails

Select

Reportez-vous à la page suivante -->

Prochain écran : REINITIALISATION DE L'APPAREIL (page FR-24)

STATUT DE L'APPAREIL – DISJONCTEUR PRINCIPAL (Niveau 2)

SAFETY Statut vérification sécurité : OK | WARNING | ERROR

LANTERNE (Niveau 3)

LAMP HOUSE Statut Lanterne : OK | WARNING | ERROR

Message Message d'erreur : se référer à la page FR-28 pour plus de détails

ZOOM (Niveau 3)

LENS TUBE Statut ZOOM : OK | WARNING | ERROR

Message Message d'erreur : se référer à la page FR-29 pour plus de détails

STATUT DE L'APPAREIL – TEMPÉRATURE (Niveau 2)

TEMPERATURE Fonction disjoncteur principal : OK | WARNING | ERROR

ALIMENTATION (Niveau 3)

BALLAST Statut température du ballast

Message Message d'erreur : se référer à la page FR-30 pour plus de détails

LANTERNE (Niveau 3)

LENS TUBE Statut température lanterne

Message Message d'erreur : se référer à la page FR-30 pour plus de détails

CPU (Niveau 3)

CPU Statut température CPU

Message Message d'erreur : se référer à la page FR-31 pour plus de détails

STATUT DE L'APPAREIL - VENTILATEUR (Niveau 2)

FAN Statut température VENTILATEUR : OK | WARNING | ERROR

LANTERNE (Niveau 3)

LAMP HOUSE Vitesse de rotation du ventilateur de la lanterne (RPM)

Message Message d'erreur : se référer à la page FR-31 pour plus de détails

AMORCEUR (Niveau 3)

IGNITOR Vitesse de rotation du ventilateur de l'amorceur (RPM)

Message Message d'erreur : se référer à la page FR-32 pour plus de détails

GELATINES (Niveau 3)

COLOUR GELS Vitesse de rotation du ventilateur des gélamines (RPM)

Message Message d'erreur : se référer à la page FR-32 pour plus de détails

Niveau 1 – Fonctions STATUT DE L'APPAREIL

Niveau 2 - STATUT DE L'APPAREIL – Fonctions de la lampe

Niveau 2 - STATUT DE L'APPAREIL - Statut FUSIBLE S

FIXTURE STATUS
->FUSES XXXXXXXX

Select

Niveau 3 – Message d'erreur FUSIBLE DES VENTILATEURS

FANS FUSE
XXXXXXXXXXXXXXXXXXXXXXXXXXXX

Se référer à la page FR-32 pour plus de détails

Niveau 3 – Message d'erreur FUSIBLE USB

USB FUSE
XXXXXXXXXXXXXXXXXXXXXXXXXXXX

Se référer à la page FR-33 pour plus de détails

Niveau 3 – Message d'erreur FUSIBLE OBTURATEUR

DIMMER FUSE
XXXXXXXXXXXXXXXXXXXXXXXXXXXX

Se référer à la page FR-33 pour plus de détails

Niveau 2 - STATUT DE L'APPAREIL – Statut ALIMENTATION

FIXTURE STATUS
->POWER SUPPLY XXXXXXXX

Select

Niveau 3 – Message d'erreur MASTER

MASTER XX.XV
XXXXXXXXXXXXXXXXXXXXXXXXXXXX

Se référer à la page FR-33 pour plus de détails

Niveau 3 – Message d'erreur ELECTRONIQUE

ELECTRONIC : XX.XV
XXXXXXXXXXXXXXXXXXXXXXXXXXXX

Se référer à la page FR-34 pour plus de détails

Niveau 3 – Message d'erreur AUXILIAIRE

AUXILIARY XX.XV
XXXXXXXXXXXXXXXXXXXXXXXXXXXX

Se référer à la page FR-34 pour plus de détails

Niveau 2 - STATUT DE L'APPAREIL – Statut OBTURATEUR DMX

FIXTURE STATUS
->DMX DIMMER XXXXXXXX

Select

Niveau 3 - Message d'erreur OBTURATEUR DMX

DMX DIMMER
XXXXXXXXXXXXXXXXXXXXXXXXXXXX

Se référer à la page FR-34 pour plus de détails

Niveau 2 - STATUT DE L'APPAREIL - MICROLOGICIEL

FIXTURE STATUS
->FIRMWARE

Select

Niveau 3 - Informations d'identification

VERSION: X.XX
RDM ID: XXXXXXXXXXXXXXXX

STATUT DE L'APPAREIL – DISFONCTEUR PRINCIPAL (Niveau 2)

FUSES Statut fusible : OK | ERROR

FUSIBLE VENTILATEUR (Niveau 3)

Message Message d'erreur : se référer à la page FR-32 pour plus de détails

FUSIBLE USB (Niveau 3)

Message Message d'erreur : se référer à la page FR-33 pour plus de détails

FUSIBLE OBTURATEUR (Niveau 3)

Message Message d'erreur : se référer à la page FR-33 pour plus de détails

STATUT DE L'APPAREIL – ALIMENTATION (Niveau 2)

POWER SUPPLY Statut alimentation : OK | WARNING | ERROR

MASTER (Niveau 3)

MASTER Version Master
Message Message d'erreur : se référer à la page FR-33 pour plus de détails

ELECTRONIQUE (Niveau 3)

ELECTRONIC Version électronique
Message Message d'erreur : se référer à la page FR-34 pour plus de détails

AUXILIAIRE (Niveau 3)

AUXILIARY Version auxiliaire
Message Message d'erreur : se référer à la page FR-34 pour plus de détails

STATUT DE L'APPAREIL – OBTURATEUR DMX (Niveau 2)

DMX DIMMER Statut obturateur DMX : OK | WARNING | ERROR

OBTURATEUR DMX (Niveau 3)

Message Message d'erreur : se référer à la page FR-34 pour plus de détails

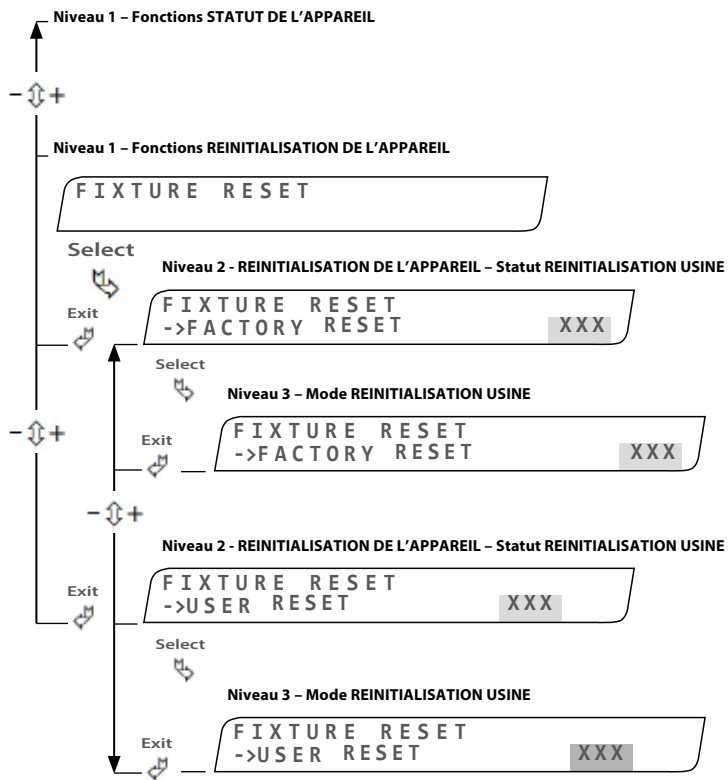
STATUT DE L'APPAREIL – MICROLOGICIEL (Niveau 2)

FIRMWARE Informations micrologiciel

VERSION (Niveau 3)

VERSION Version (uniquement utilisé par le fabricant)
RDM ID Informations d'identification (uniquement utilisé par le fabricant)

Prochain écran : REINITIALISATION DE L'APPAREIL (page FR-24)



REINITIALISATION DE L'APPAREIL (Niveau 1)

FIXTURE RESET	Fonctions de réinitialisation de l'appareil
----------------------	---

REINITIALISATION DE L'APPAREIL - REINITIALISATION USINE (Niveau 2)

FACTORY RESET (Niveau 2)	Statut réinitialisation usine
---------------------------------	-------------------------------

FACTORY RESET (Niveau 3)	Mode réinitialisation usine : OUI NON
---------------------------------	---

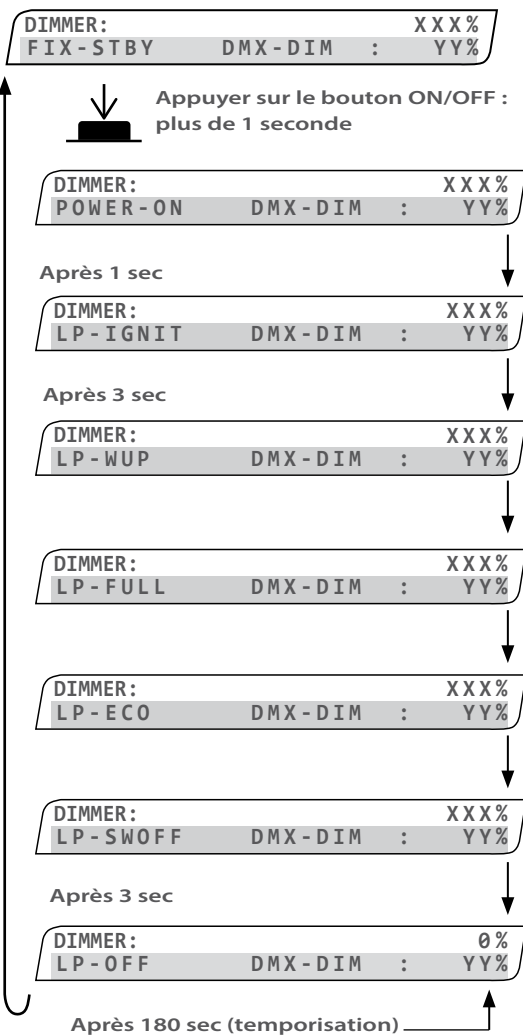
REINITIALISATION DE L'APPAREIL - REINITIALISATION UTILISATEUR (Niveau 2)

USER RESET (Niveau 2)	Statut réinitialisation utilisateur
------------------------------	-------------------------------------

USER RESET (Niveau 3)	Mode réinitialisation utilisateur : OUI NON
------------------------------	---

4.2.3 Menus et paramètres pour option obturateur DMX

Level 0 - Appareil en mode veille quand l'option obturateur DMX détectée



<- Stand-by screen (after 30 seconds of non-activity)

System functions (Level 0)

DIMMER	État de l'obturateur
---------------	----------------------

FIX-STBY	Poursuite en mode veille
-----------------	--------------------------

POWER-ON	Tension : OK ERROR WARNING
-----------------	--------------------------------

LP-IGNIT	État préchauffage : OK ERROR WARNING
-----------------	--

LP-WUP	Etat lampe allumée : OK ERROR WARNING
---------------	---

LP-FULL	État Eco Mode : OK ERROR WARNING
----------------	--------------------------------------

LP-ECO	Etat lampe éteinte : OK ERROR WARNING
---------------	---

LP-SWOFF	État lampe éteinte, état refroidissement : OK ERROR WARNING
-----------------	---

LP-OFF	État poursuite : ERROR (non corrigé)
---------------	--------------------------------------

Niveau 0 - ERREUR FONCTION



Se référer à la page FR-27 pour plus de détails

Avertissement : si un message d'erreur apparaît, il est nécessaire d'appuyer sur le bouton ON/OFF pour pouvoir continuer à utiliser la poursuite (cette action permet de signifier à l'appareil que l'utilisateur a pris connaissance du message).

Procédure : se reporter à FIXTURE STATUS, page FR-21

Erreur Fonction (Niveau 0)

État poursuite : ERREUR (non corrigé)

FIXTURE *Se reporter à la section ECRANS MESSAGES*

D'ERREUR, page FR-28

4.2.4 Tableau DMX

Mapping des canaux				
Canal	Nom	Gamme min.	Gamme max.	Fonction
1	Dimmer coarse	0	255	Gradation sur 16 bits (65535 pas)
2	Dimmer fine	0	255	
3	Control mode	36	45	Obturbateur lissage : OFF
		46	55	Lissage minimum : ON
		56	65	Lissage medium : ON
		66	75	Lissage maximum : ON
		96	115	Obturbateur max. : OFF
		116	135	Obturbateur max. : ON
		136	155	RDM: OFF (DMX uniquement)
		156	175	RDM: ON
		176	195	ECO: OFF
		196	215	Auto ECO: ON
		216	235	Lampe OFF
		236	255	Lampe ON

5.1 Maintenance préventive

5.1.1 Fréquence

Une maintenance générale doit être effectuée au minimum une fois par an et plus si la poursuite est utilisée dans des conditions d'utilisation « difficile » (fumée, humidité, chaleur, tournée, etc.).

5.1.2 Nettoyage général

Enlever la poussière du produit (conduits de ventilation, circuits imprimés, etc.).

5.1.3 Vérification visuelle générale

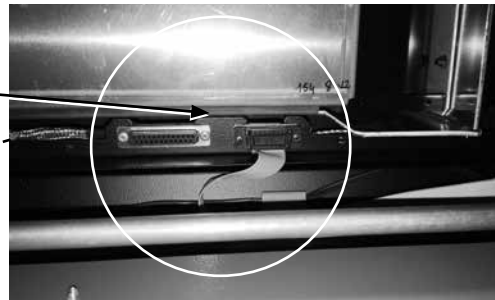
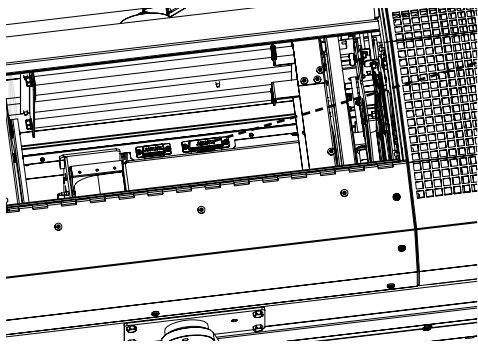
- Pas de trace de chaleur.
- Pas de jeu dans les contacts.
- Pas de pièces manquantes.
- Vérifier le serrage de toutes les pièces mécaniques (vis, écrous, mise à la terre, etc.).

5.1.4 Optique

Le nettoyage des composants optiques (lentilles) doit être effectué avec des solutions contenant de l'alcool.

5.1.5 Retirer l'alimentation électronique de l'appareil

- Déconnecter le câble plat DSUB15 et/ou le câble plat DSUB25 si le projecteur dispose de l'option gradateur motorisé.



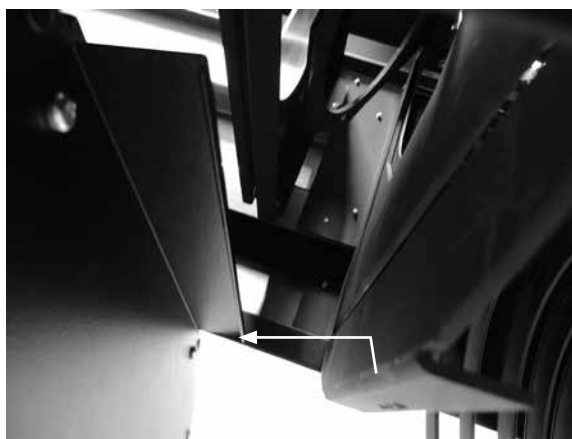
- Desserrer les 2 vis, puis pousser sur la poignée et tirer légèrement vers le bas afin d'ouvrir le module d'alimentation.



- Tenir la poignée d'une main et placer l'autre main sous le module d'alimentation au niveau de l'écran d'affichage pour stabiliser, puis retirer le module en le tirant vers l'arrière.



- **Avertissement** : vérifier que la plaque de sécurité recourbée a bien été délogée avant de tirer sur le module.



5.2 Analyse

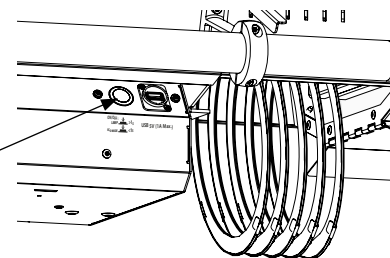
Si le problème persiste après avoir suivi la procédure de dépannage (Cf. 6.), veuillez contacter un revendeur *Robert Juliat* agréé avec les informations suivantes :

- Modèle, version et numéro de série du produit.
- Version programme (disponible sur page FR-15 section 4.2.2).
- Description du problème.

5.3 Protection thermique

Si la protection thermique se déclenche :

- Vérifier les indications relatives à l'effet de surchauffe (page FR-30)
- Réinitialiser la protection thermique en appuyant sur le bouton 'ON/OFF'.



5.4 Nomenclature / Pièces détachées

➔ Disponible sur www.followspot-merlin.com ou www.robertjuliat.fr

➔ Ou sur demande auprès de notre service après-vente info@robertjuliat.fr

6.1 Informations générales

SYMPTOMES	CAUSES POSSIBLES	SOLUTIONS
La lampe ne s'allume pas	Pas de lampe dans le projecteur	Mettre en place une lampe dans la douille (se référer à la page FR-7)
	La lampe est en place, mais défectueuse	Vérifier l'état de la lampe et la remplacer
	Le capot de la lanterne n'a pas été refermé correctement	Vérifier que le capot de la lanterne et les vis de sécurité sont bien montés correctement (se reporter à la page FR-8)
	Commutateurs de sécurité défectueux	Changer les commutateurs de sécurité
	Connexion électrique	Vérifier les connexions (se reporter à la page FR-9)
	Alimentation défectueuse	Remplacer l'alimentation (se reporter à la page FR-25)
Le faisceau n'est pas uniforme	La lampe n'est pas centrée	Repositionner la lampe conformément aux indications données en page FR-7)
	Réglage du faisceau	Actionner les boutons de contrôle zoom et focus afin d'obtenir le réglage souhaité (page FR-12)
	Lampe non compatible	Se reporter à la liste de lampes compatibles (page FR-7)

6.2 Écrans messages d'erreur :

Niveau 3 – ETAT TENSION PRINCIPALE – VOLTS AC – Exemple de message d'erreur :

```
MAINS STATUS: 190 VOLTS AC
VOLTAGE TOO LOW
```

Niveau 3 – ETAT TENSION PRINCIPALE – VOLTS AC – Exemple de message d'avertissement :

```
MAINS STATUS: 198 VOLTS AC
UNSTABLE LOW VOLTAGE
```

Niveau 3 – ETAT TENSION PRINCIPALE – VOLTS AC – Message OK :

```
MAINS STATUS: 240 VOLTS AC
VOLTAGE: OK
```

ETAT TENSION PRINCIPALE – VOLTS AC (niveau 3)

Statut : Erreur : la poursuite s'est arrêtée

Message : VOLTAGE TOO LOW

Explication : Plage de tension trop basse : 0 à 194V ou 195 à 199V (si >3mn)

Solution : Vérifier votre installation électrique

Statut : Avertissement : la poursuite est encore opérationnelle

Message : UNSTABLE LOW VOLTAGE

Explication : Plage de tensions acceptables : 195 à 199V (si <3mn)

Solution : Vérifier votre installation électrique

Statut : OK : la poursuite fonctionne correctement

Message : VOLTAGE: OK

Explication : Plage de tension correcte : 200 à 254V

Solution : NA

Niveau 3 – ETAT TENSION PRINCIPALE – VOLTS AC – Exemple de message d'erreur :

MAINS STATUS: 258 VOLTS AC
UNSTABLE HIGH VOLTAGE

Niveau 3 – ETAT TENSION PRINCIPALE – VOLTS AC – Exemple de message d'erreur :

MAINS STATUS: 261 VOLTS AC
VOLTAGE TOO HIGH

Niveau 3 – ETAT DE LA LAMPE – Message OK :

LAMP STATUS: ON
LAMP LIFE: OK

Niveau 3 – ETAT DE LA LAMPE - Message d'avertissement :

LAMP STATUS: ON
LAMP LIFE: OVER

Niveau 3 – ETAT DE LA LAMPE - Message d'erreur :

LAMP STATUS: ON
END OF LAMP LIFE

Niveau 3 – ETAT DETECTEUR LUMIERE - Message d'erreur :

LIGHT SENSOR
LIGHT SENSOR DEFAULT

Niveau 3 – ETAT DETECTEUR LUMIERE - Message d'erreur :

LIGHT SENSOR
LIGHT NOT DETECTED

ETAT TENSION PRINCIPALE – VOLTS AC (niveau 3)

Statut : Erreur: la poursuite s'est arrêtée

Message : UNSTABLE HIGH VOLTAGE

Explication: Plage de tension trop haute : 55 à 260V (si <3mn)

Solution : Vérifier votre installation électrique

Statut : Erreur: la poursuite s'est arrêtée

Message : VOLTAGE TOO HIGH

Explication: Plage de tension trop basse ou trop haute : < 260V & 255-260V (si >3 mn)

Solution : Vérifier votre installation électrique

ETAT DE LA LAMPE (niveau 3)

Statut : OK: la poursuite fonctionne correctement

Message : LAMP LIFE: OK

Explication: Durée de vie de la lampe correcte : 0 à 500 heures

Solution : NA

Statut : Avertissement : la poursuite est encore opérationnelle

Message : LAMP LIFE: OVER

Explication: Utilisation excessive de la lampe : 501 à 1000 h

Solution : Remplacer la lampe usagée par une nouvelle lampe dès que possible et réinitialiser le compteur lampe

Statut : Erreur : la poursuite s'est arrêtée

Message : END OF LAMP LIFE

Explication: Durée de vie de la lampe dépassée : >1000 h

Solution : Remplacer la lampe usagée par une nouvelle lampe et réinitialiser le compteur lampe

DETECTEUR LUMIERE (niveau 3)

Statut : Erreur : la poursuite s'est arrêtée

Message : LIGHT SENSOR DEFAULT

Explication: La lampe ne s'allume pas à l'allumage de la poursuite

Solution : - Vérifier le câblage dans la lanterne
- Remplacer le détecteur défectueux dans la lanterne

Statut : Erreur : la poursuite s'est arrêtée

Message : LIGHT NOT DETECTED

Explication: La lampe s'éteint après l'allumage de la poursuite

Solution : - Vérifier si la lampe est bien en place dans la lanterne
- Remplacer la lampe usagée si le problème survient pendant l'allumage
- Nettoyer la poussière sur le détecteur dans la lanterne

Niveau 3 - DETECTEUR LUMIERE - Message OK :

LIGHT SENSOR
LEVEL : 1 OK

Niveau 3 - DETECTEUR BALLAST - Message d'erreur :

BALLAST SENSOR
BALLAST DEFAULT

Niveau 3 - DETECTEUR BALLAST - Message d'erreur :

BALLAST SENSOR
OUTPUT DEFAULT

Niveau 3 - LANTERNE - Message d'erreur :

LAMP HOUSE : ERROR
MICROSWITCH OPEN

Niveau 3 - LANTERNE - Message d'erreur :

LAMP HOUSE : ERROR
GENERAL OVERHEATING

Niveau 3 - LANTERNE - Message OK :

LAMP HOUSE :
SAFETY SWITCHES : OK

Niveau 3 - ZOOM - Message d'erreur :

LENS TUBE : ERROR
UNPLUGGED DSUB15

Statut : OK : la poursuite fonctionne correctement

Message : -

Explication : NA

Solution : NA

DETECTEUR ALIMENTATION (niveau 3)

Statut : Erreur : la poursuite s'est arrêtée

Message : BALLAST DEFAULT

Explication : La lampe ne s'allume pas pendant l'allumage de la poursuite

Solution : Remplacer le détecteur situé dans le ballast

Statut : Erreur : la poursuite s'est arrêtée

Message : OUTPUT DEFAULT

Explication : La lampe s'éteint après l'allumage de la poursuite

Solution :

- Contrôler la mise en place de la lampe dans la lanterne
- Vérifier l'équipement électrique
- Vérifier si l'alimentation fonctionne correctement

LANTERNE (Niveau 3)

Statut : Erreur : la poursuite s'est arrêtée

Message : MICROSWITCH OPEN

Explication : Le capot de lanterne n'est pas correctement installé

Solution : Contrôler la mise en place du capot de lanterne

Statut : Erreur : la poursuite s'est arrêtée

Message : GENERAL OVERHEATING

Explication : Surchauffe de la lanterne : > à 80° C

Solution :

- Contrôler tous les détecteurs
- Vérifier le fonctionnement des ventilateurs
- Vérifier l'état de la lampe
- Remplacer la lampe si elle semble trop usagée

Statut : OK : la poursuite fonctionne correctement

Message : SAFETY SWITCHES: OK

Explication : NA

Solution : NA

ZOOM (niveau 3)

Statut : Erreur : la poursuite s'est arrêtée

Message : UNPLUGGED DSUB15

Explication : Le câble plat DSUB-15 situé dans le zoom n'est pas branché

Solution : Rebrancher le câble plat DSUB-15

Niveau 3 - ZOOM - Message d'avertissement :

LENS TUBE: WARNING
SAFETY LOOP: OPEN

Niveau 3 - ZOOM - Message OK :

LENS TUBE: OK
CONNECTED D SUB 15

Niveau 3 - ALIMENTATION - Message d'avertissement :

BALLAST: 2°C
TEMPERATURE: TOO LOW

Niveau 3 - ALIMENTATION - Message OK :

BALLAST: 51°C
TEMPERATURE: OK

Niveau 3 - ALIMENTATION - Message d'erreur :

BALLAST: 85°C
BALLAST OVERHEATING

Niveau 3 - ALIMENTATION - Message d'erreur :

BALLAST: XXX°C
TEMP. SENSOR DEFAULT

Niveau 3 - LANTERNE - Message d'avertissement :

LAMP HOUSE: 3°C
TEMPERATURE: TOO LOW

Niveau 3 - LANTERNE - Message OK :

LAMPE HOUSE: 64°C
TEMPERATURE: OK

Statut : Avertissement : la poursuite est encore opérationnelle

Message : SAFETY LOOP: OPEN

Explication: Micro-rupteur(s) / rupteur(s) thermique(s) ouvert(s) ou câble(s) plat(s) débranché(s)

Solution :

- Contrôler que le capot de la lanterne est bien fermé
- Vérifier tous les détecteurs
- Rebrancher le(s) connecteur(s) ou le(s) détecteur(s) mal connecté(s)

Statut : OK : la poursuite fonctionne correctement

Message : CONNECTED D SUB 15

Explication: NA

Solution : NA

ALIMENTATION (niveau 3)

Statut : Avertissement : la poursuite est encore opérationnelle

Message : TEMPERATURE: TOO LOW

Explication: Température trop basse : < à 4°C

Solution : Utiliser la poursuite dans une zone dont la température est comprise entre 5 et 79°C

Statut : OK : la poursuite fonctionne correctement

Message : TEMPERATURE: OK

Explication: Températures recommandées : entre 5 et 79°C

Solution : NA

Statut : Erreur : la poursuite s'est arrêtée

Message : BALLAST OVERHEATING

Explication: Température de l'alimentation non acceptée : > à 80°C

Solution : Vérifier les ventilateurs de l'alimentation

Statut : Erreur : la poursuite s'est arrêtée

Message : TEMP. SENSOR DEFAULT

Explication:

- Détecteur non connecté
- Vérifier tous les détecteurs & câblages

Solution : Identifier et remplacer le thermo-rupteur défectueux

LANTERNE (niveau 3)

Statut : Avertissement : la poursuite est encore opérationnelle

Message : TEMPERATURE: TOO LOW

Explication: Température de l'alimentation trop basse : < à 4°C

Solution : Utiliser la poursuite dans une zone dont la température est comprise entre 5 et 79°C

Statut : OK : la poursuite fonctionne correctement

Message : TEMPERATURE: OK

Explication: Températures recommandées : entre 5 et 79°C

Solution : NA

Niveau 3 - LANTERNE - Exemple de message d'erreur :

LAMP HOUSE: 86 °C
LAMP OVERHEATING

Niveau 3 - LANTERNE - Message d'erreur :

LAMP HOUSE: XXX °C
TEMP. SENSOR DEFAULT

Niveau 3 - CPU - Message d'avertissement :

CPU: 2 °C
TEMPERATURE: TOO LOW

Niveau 3 - CPU - Message OK :

CPU: 56 °C
TEMPERATURE: OK

Niveau 3 - CPU - Message d'erreur :

CPU: 124 °C
CPU OVERHEATING

Niveau 3 - LANTERNE - Message d'erreur :

LAMP HOUSE
MAIN FAN: DEFAULT

Niveau 3 - LANTERNE - Message OK :

LAMP HOUSE
MAIN FAN: OK

Statut : Erreur : la poursuite s'est arrêtée

Message : LAMP OVERHEATING

Explication : Température non acceptée dans la lanterne : > à 80° C

Solution : Vérifier les ventilateurs de la lanterne

Statut : Erreur : la poursuite s'est arrêtée

Message : TEMP. SENSOR DEFAULT

Explication :
- Vérifier tous les détecteurs de la poursuite
- Reconnecter tous les connecteurs ou détecteurs débranchés

Solution : Identifier et remplacer le thermo-rupteur défectueux

CPU (Niveau 3)

Statut : Avertissement : la poursuite est encore opérationnelle

Message : TEMPERATURE: TOO LOW

Explication : Température de la CPU dans l'alimentation trop basse : < à 4° C

Solution : Utiliser la poursuite dans une zone dont la température est comprise entre 5° et 79° C

Statut : OK : la poursuite fonctionne correctement

Message : TEMPERATURE: OK

Explication : Températures recommandées : entre 5° et 110° C

Solution : NA

Statut : Erreur : la poursuite s'est arrêtée

Message : CPU OVERHEATING

Explication : Température non acceptée dans la CPU : > à 110° C

Solution : Vérifier les ventilateurs de l'alimentation

VENTILATEUR - LANTERNE (niveau 3)

Statut : Erreur : la poursuite s'est arrêtée

Message : MAIN FAN: DEFAULT

Explication : Le ventilateur du driver s'est arrêté

Solution : Remplacer le ventilateur et/ou le driver défectueux

Statut : OK : la poursuite fonctionne correctement

Message : MAIN FAN: OK

Explication : NA

Solution : NA

Niveau 3 - AMORCEUR (lanterne) - Message d'erreur :

```
IGNITOR
IGNITOR FAN : DEFAULT
```

Niveau 3 - AMORCEUR - Exemple de message d'erreur :

```
IGNITOR: 657RPM
IGNITOR FAN : TOO LOW
```

Niveau 3 - AMORCEUR - Message d'avertissement :

```
IGNITOR: 2117RPM
IGNITOR FAN : TOO LOW
```

Niveau 3 - AMORCEUR - Message OK :

```
IGNITOR: 3269RPM
IGNITOR FAN : OK
```

Niveau 3 - GELATINES - Message d'avertissement :

```
COLOUR GELS: XXXXRPM
COLOURS FAN : DEFAULT
```

Niveau 3 - GELATINES - Exemple de message d'avertissement :

```
COLOUR GELS: 1753RPM
COLOURS FAN : TOO LOW
```

Niveau 3 - GELATINES - Message OK :

```
COLOUR GELS: 2133RPM
COLOURS FAN : OK
```

Niveau 3 - VENTILATEUR - Error message :

```
FAN FUSE
FANS FUSE : BLOWN
```

VENTILATEUR - LANTERNE – AMORCEUR (niveau 3)

Statut : Erreur : la poursuite s'est arrêtée

Message : IGNITOR FAN: DEFAULT

Explication : Le ventilateur n'est pas connecté

Solution : Vérifier et remplacer le ventilateur défectueux

Statut : Erreur : la poursuite s'est arrêtée

Message : IGNITOR FAN: TOO LOW

Explication : Le ventilateur fonctionne trop lentement ou est défectueux : 1 à 1000 RPM

Solution : Vérifier et remplacer le ventilateur défectueux dans la lanterne

Statut : Avertissement : la poursuite est encore opérationnelle

Message : IGNITOR FAN: TOO LOW

Explication : Le ventilateur fonctionne trop lentement ou est défectueux : 1001 à 3000 RPM

Solution : Vérifier et remplacer le ventilateur défectueux dans la lanterne

Statut : OK : la poursuite fonctionne correctement

Message : IGNITOR FAN: OK

Explication : Le ventilateur fonctionne normalement : > à 3001 RPM

Solution : NA

VENTILATEUR - GELATINES (niveau 3)

Statut : Avertissement : la poursuite est encore opérationnelle

Message : COLOURS FAN: DEFAULT

Explication : Ventilateur défectueux ou détecteur de vitesse du ventilateur défectueux

Solution : Remplacer le détecteur de vitesse ou le ventilateur au niveau du kit changeur de couleurs

Statut : Avertissement : la poursuite est encore opérationnelle

Message : COLOURS FAN: TOO LOW

Explication : Le ventilateur fonctionne trop lentement ou est défectueux : 1 à 2000 RPM

Solution : Vérifier et remplacer le ventilateur défectueux au niveau du kit changeur de couleurs

Statut : OK : la poursuite fonctionne correctement

Message : COLOURS FAN: OK

Explication : Colours fan running correctly: > à 2001 RPM

Solution : NA

FUSIBLE VENTILATEUR (niveau 3)

Statut : Erreur : la poursuite s'est arrêtée

Message : FANS FUSE: BLOWN

Explication : Fusible consommé

Solution : Remplacer le fusible et le ventilateur défectueux dans la lanterne

Niveau 3 - FUSIBLE VENTILATEUR - Message OK :

```
FAN FUSES
FANS FUSE : OK
```

Niveau 3 - FUSIBLE USB - Message d'avertissement :

```
USB FUSES
USB FUSE : BLOWN
```

Niveau 3 - FUSIBLE USB - Message OK :

```
USB FUSE
USB FUSE : OK
```

Niveau 3 - FUSIBLE GRADATEUR - Message d'avertissement :

```
USB FUSES
DIMMER FUSE : BLOWN
```

Niveau 3 - FUSIBLE GRADATEUR - Message OK :

```
USB FUSE
DIMMER FUSE : OK
```

Niveau 3 - MASTER - Exemple de message d'erreur :

```
MASTER XX.XV
12V PSU : TOO LOW
```

Niveau 3 - MASTER - Message OK :

```
MASTER XX.XV
12V PSU : OK
```

Niveau 3 - MASTER - Exemple de message d'erreur :

```
MASTER XX.XV
12V PSU : TOO HIGH
```

Statut : OK : la poursuite fonctionne correctement

Message : IGNITOR FAN : OK

Explication : NA

Solution : NA

FUSIBLE USB (niveau 3)

Statut : Avertissement : la poursuite est encore opérationnelle

Message : USB FUSE : BLOWN

Explication : Fusible USB consommé

Solution : Remplacer le fusible USB au niveau de la carte CPU

Statut : OK : la poursuite fonctionne correctement

Message : USB FUSE : OK

Explication : NA

Solution : NA

FUSIBLE OBTURATEUR (niveau 3)

Statut : Avertissement : la poursuite est encore opérationnelle

Message : DIMMER FUSE : BLOWN

Explication : Fusible obturateur consommé

Solution :

- Remplacer le fusible USB au niveau de la carte CPU
- Remplacer l'oburateur défectueux

Statut : OK : la poursuite fonctionne correctement

Message : DIMMER FUSE : OK

Explication : NA

Solution : NA

MASTER (niveau 3)

Statut : Erreur : la poursuite s'est arrêtée

Message : 12V PSU : TOO LOW

Explication : Voltage too low: < à 11,5 V

Solution :

- Si la tension principale utilisée est correcte, tester la tension basse sur l'alimentation et la carte CPU
- Remplacer les éléments défectueux

Statut : OK : la poursuite fonctionne correctement

Message : 12V PSU : OK

Explication : Tension correcte : entre 11,5 et 13 V

Solution : NA

Statut : Erreur : la poursuite s'est arrêtée

Message : 12V PSU : TOO HIGH

Explication : Tension trop élevée : > à 13 V

Solution :

- Si la tension principale utilisée est correcte, tester la carte CPU
- Remplacer la carte CPU

Niveau 3 - ELECTRONIQUE - Exemple de message d'erreur :

```
ELECTRONIC          XX.XV
5V PSU: TOO LOW
```

Niveau 3 - ELECTRONIQUE - Message OK :

```
ELECTRONIC          XX.XV
5V PSU: OK
```

Niveau 3 - ELECTRONIQUE - Exemple de message d'erreur :

```
ELECTRONIC          XX.XV
5V PSU: TOO HIGH
```

Niveau 3 - AUXILIAIRE - Message d'avertissement :

```
ELECTRONIC          XX.XV
AUX 5V PSU: TOO LOW
```

Niveau 3 - AUXILIAIRE - Message OK :

```
ELECTRONIC          XX.XV
AUX 5V PSU: OK
```

Niveau 3 - AUXILIAIRE - Message d'avertissement :

```
ELECTRONIC          XX.XV
AUX 5V PSU: TOO HIGH
```

Niveau 3 - OBTURATEUR DMX - Message d'avertissement :

```
DMX DIMMER
MODULE DISCONNECTED
```

Niveau 3 - OBTURATEUR DMX - Message OK :

```
DMX DIMMER
MODULE CONNECTED
```

ELECTRONIQUE (Niveau 3)

Statut : Erreur : la poursuite s'est arrêtée

Message : 5V PSU: TOO LOW

Explication : Tension trop basse : < à 4,5 V

Solution :

- Si la tension principale utilisée est correcte, tester la tension basse sur l'alimentation et la carte CPU
- Remplacer les éléments défectueux

Statut : OK : la poursuite fonctionne correctement

Message : 5V PSU: OK

Explication : Tension correcte : entre 4,5 et 5,5 V

Solution : NA

Statut : Erreur : la poursuite s'est arrêtée

Message : 5V PSU: TOO HIGH

Explication : Tension trop élevée : > à 5,5 V

Solution :

- Si la tension principale utilisée est correcte, tester la carte CPU - Remplacer la carte CPU

AUXILIAIRE (Niveau 3)

Statut : Avertissement : la poursuite est encore opérationnelle

Message : AUX 5V PSU: TOO LOW

Explication : Tension trop basse : < à 4,5 V

Solution :

- Si la tension principale utilisée est correcte, tester la tension basse sur l'alimentation et la carte CPU
- Remplacer les éléments défectueux

Statut : OK : la poursuite fonctionne correctement

Message : AUX 5V PSU: OK

Explication : Tension correcte : entre : 4,5 et 5,5 V

Solution : NA

Statut : Avertissement : la poursuite est encore opérationnelle

Message : AUX 5V PSU: TOO HIGH

Explication : Tension trop élevée : > à 5,5 V

Solution :

- Si la tension principale utilisée est correcte, tester la carte CPU - Remplacer la carte CPU

OBTURATEUR DMX (Niveau 3)

Statut : Avertissement : la poursuite est encore opérationnelle

Message : MODULE DISCONNECTED

Explication : Le câble plat DSUB25 est débranché

Solution : Reconnecter le câble plat DSUB25

Statut : OK : la poursuite fonctionne correctement

Message : MODULE CONNECTED

Explication : NA

Solution : NA

7.1 Le RDM – qu'est-ce que c'est ?

RDM sont les initiales de 'Remote Device Management', signifiant 'Gestion des Périphériques Distants'. Il s'agit d'un protocole de communication bidirectionnel utilisé dans les systèmes DMX 512.

C'est le standard ouvert pour la configuration et la surveillance des systèmes à distance en DMX 512. RDM est un protocole de communication prévu pour une liaison dite ' half-duplex'. La source RDM peut envoyer des messages aux périphériques présents sur le câble, et au besoin, un et un seul de ces périphériques (qui aurait reconnu que c'était à lui que la source RDM s'adressait) répond en envoyant un message sur le câble.

7.2 Exigences spécifiques RDM

Le projecteur MERLIN est compatible avec le protocole RDM (Remote Device Management). Afin d'utiliser toutes les fonctionnalités RDM, votre installation doit être conforme aux normes ANSI E1.20 – 2010 et si possible ANSI E1.37 – 1.

7.3 Liste des fonctions RDM :

FONCTIONS STANDARDS					
PID standard	Fonction	Discovery command	SET command	GET command	Observations
00 01	Discovery Unique Branch	•			
00 02	Discovery Mute	•			
00 03	Discovery Unmute	•			
00 15	Communication Status		•	•	
00 20	Queued Message			•	
00 30	Status Messages			•	
00 31	Status ID Description			•	
00 32	Clear Status ID		•		
00 50	Supported Parameters			•	
00 51	Parameter Description			•	
00 60	Device Info			•	
00 70	Product Detail ID List			•	
00 80	Device Model Description			•	
00 81	Manufacturer Label			•	
00 82	Device Label		•	•	
00 90	Factory Defaults		•	•	
00 C0	Software Version Label			•	
00 E0	DMX512 Personality			•	
00 F0	DMX512 Personality Description			•	
01 20	DMX512 Starting Address		•	•	
01 21	Slot Info			•	
01 22	Slot Description			•	

FONCTIONS STANDARDS

PID standard	Function Description	Discovery command	SET command	GET command	Remarks
02 00	Sensor Definition			•	
02 01	Sensor Value			•	
04 00	Device Hours		•	•	Set = Factory locked
04 01	Lamp Hours		•	•	Authorized reset level (=0)
04 03	Lamp State		•	•	
04 04	Lamp On Mode		•	•	
05 01	Display Level		•	•	
06 41	Lock State		•	•	E1.37-1
06 42	Lock State Description			•	E1.37-1
10 00	Identify device			•	
10 01	Reset device			•	

FONCTIONS SPÉCIFIQUES ROBERT JULIAT

PID standard	Function Description	Discovery command	SET command	GET command	Remarks
85 09	Light Curve		•	•	
85 10	Smoothing		•	•	
85 11	Manual Dimmer Level			•	
85 14	Eco-Mode Activation		•	•	
85 15	Eco-Mode Timer		•	•	
85 17	Contrast Display Level		•	•	
85 18	Dimmer Status			•	
85 19	User Configuration		•		Save=1 Restore=2
85 20	Motorised Dimmer		•	•	
85 22	Zero Dimmer Local		•	•	
85 23	Full Dimmer Local		•	•	

FONCTION "GET" - LISTE MESSAGES D'ERREURS

"Sensor not found"	"End of Lamp Life"	"Ignitor Fan Too Low"
"Sensor over temp"	"Light Sensor Default"	"Colors Fan Default"
"Sensor under temp"	"Light Not Detected"	"Colors Fan Too Low"
"Phase over voltage"	"Ballast Default"	"Fans Fuse Blown"
"Phase under voltage"	"Output Default"	"USB Fuse Blown"
"Sensor out of range"	"Ballast Temp. Too Low"	"Dimmer Fuse Blown"
"Sensor always one"	"Ballast Overheating"	"12V PSU Too Low"
"Microswitch Open"	"Ballast Temp. Sensor Default"	"12V PSU Too High"
"General Overheating"	"Lamp House Temp. Too Low"	"5V PSU Too Low"
"Unplugged DSUB 15"	"Lamp House Overheating"	"5V PSU Too High"
"Safety Loop Open" (not used)	"Lamp House Temp. Sensor Default"	"AUX 5V PSU Too Low"
"Mains Voltage Too Low"	"CPU Temp. Too Low"	"AUX 5V PSU Too High"
"Unstable Mains Voltage"	"CPU Overheating"	Motorised Dimmer Disconnected
"Mains Voltage Too High"	"Main Fan Default"	
"Lamp Life Over"	"Ignitor Fan Default"	

FONCTION "SENSOR" - MESSAGES D'INFORMATION
"Ignitor Fan Speed in RPM"
"Lamp Flux"
"Lamp House Temperature"
"Gel Holder Fan Speed in RPM"
"Mains Voltage"
"Ballast Temperature"
"CPU Temperature"
"12V - PSU"
"5V PSU"
"AUX 5V - PSU"