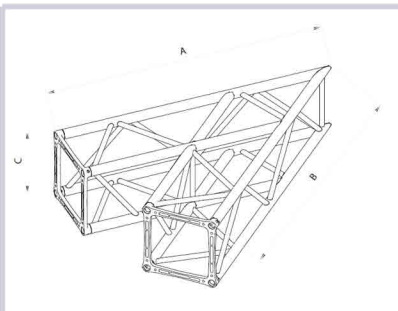


Description	Specification
External dimensions (height x width)	400 mm x 400 mm
Distance between axis	350 mm x 350 mm
Lengthways tubes	Extruded aluminium EN AW 6082 T6 - Ø50x2 mm
Crossways tubes	Extruded aluminium EN AW 6060 T6 - Ø20x2 mm
Connecting plate	Cast aluminium EN AC 42200 T6
Welding process	TIG -141/ISO 4063
Available length (cm)	10 - 25 - 50 - 100 - 150 - 200 - 250 - 300 - 350 - 400
Connection systems	QXFC - QXSM10

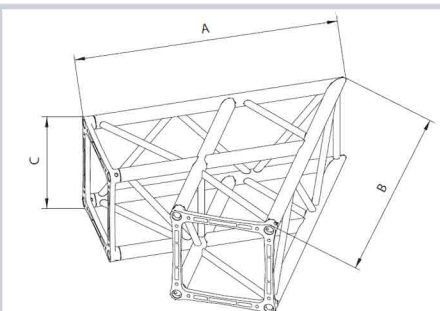
Section Area	Moment of inertia Y - axis [mm ⁴]	Moment of inertia Z - axis [mm ⁴]	Selfweight (approx.) [N/m]		
1206	31.699.200	31.699.200	70		

SPAN m	UNIF. DISTRIBUTED LOAD			CENTRE POINT LOAD			THIRD POINT LOAD			QUARTER POINT LOAD			FIFTH POINT LOAD		
	point load kg/m	full load kg	central deflection mm	point load kg	full load kg	central deflection mm	point load kg	full load kg	central deflection mm	point load kg	full load kg	central deflection mm	point load kg	full load kg	central deflection mm
1	3065	3065	0	2865	2865	0	1532	3065	0	1022	3065	0	766	3065	0
2	1529	3058	1	2054	2054	1	1268	2537	1	953	2859	1	765	3058	1
3	1017	3052	4	1578	1578	3	1024	2047	4	797	2392	4	663	2651	4
4	761	3043	10	1273	1273	7	852	1703	8	680	2041	8	551	2205	9
5	494	2472	16	1063	1063	11	726	1452	13	584	1753	14	457	1827	14
6	346	2076	23	909	909	16	630	1260	19	492	1476	21	389	1554	21
7	255	1784	31	792	792	23	555	1110	27	424	1271	28	337	1349	2
8	195	1560	41	699	699	30	495	989	36	371	1113	37	297	1188	38
9	154	1383	53	624	624	39	445	890	46	329	987	48	265	1059	49
10	123	1235	65	562	562	48	403	806	58	295	884	59	238	952	61
11	101	1110	79	510	510	59	368	735	71	266	798	72	216	862	74
12	84	1005	94	465	465	71	337	674	86	242	726	86	196	786	89
13	70	916	110	426	426	84	310	620	102	221	663	101	180	720	105
14	60	838	127	392	392	98	286	572	119	203	608	118	165	662	122
15	51	770	146	362	362	114	265	530	138	187	560	136	153	610	14
16	44	709	166	335	335	131	246	492	159	172	517	155	141	564	161
17	39	655	188	310	310	149	229	458	180	159	478	176	131	523	182
18	34	606	211	288	288	168	213	427	203	148	443	197	121	486	205

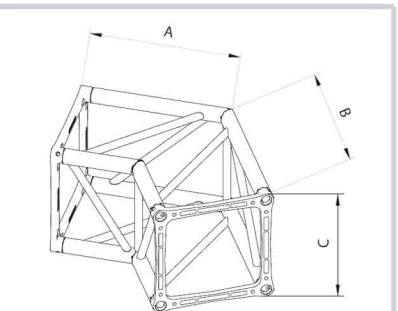
Load table has been prepared in accordance with UNI ENV 1999-1-1 (Eurocode 9).
 When calculating the allowable loads shown in the table, it is assumed that the trusses are simply supported at the end connection and that static loads will be applied to the node points.
 The application of the load shall be on the centre line of the truss.
 The values shown in the table are the allowable statics loads that can be applied to the truss. This is the live load or the payload.
 The self weight of the truss has been taken into account when calculating the values in the table.
 It should be noted that this are idealised loading condition and the User shall re-analyze the truss for the loading condition which prevail for the application begin considered.



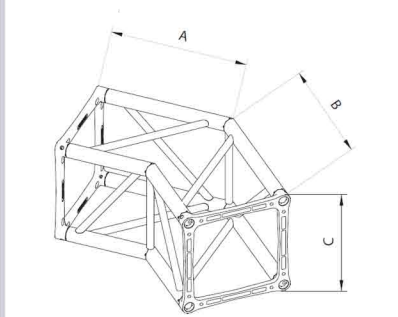
QX40SAL2045



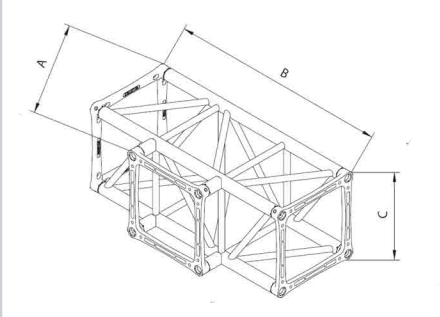
QX40SAL2060



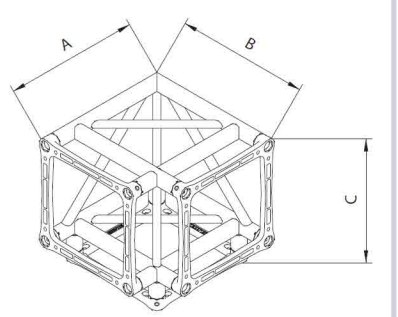
QX40SAL2120



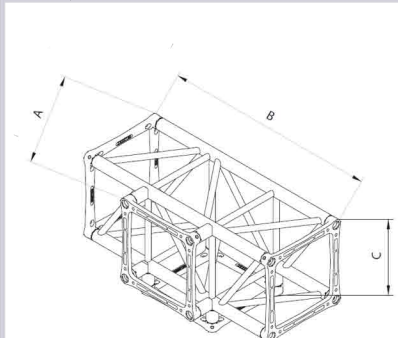
QX40SAL2135



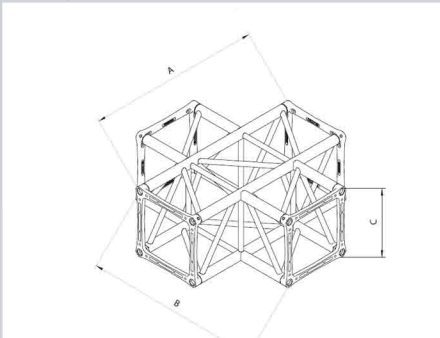
QX40SAT3



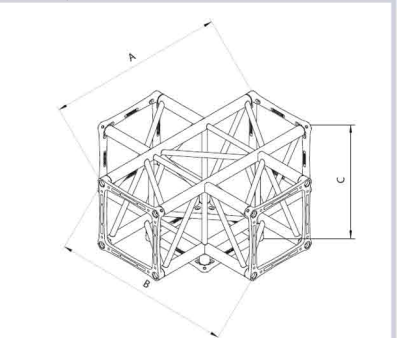
QX40SAL3



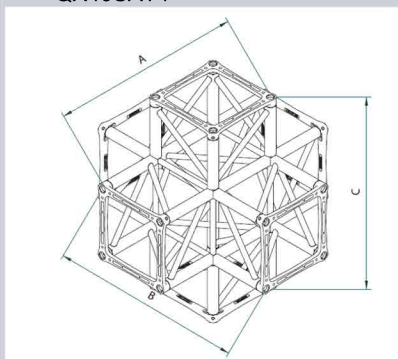
QX40SAT4



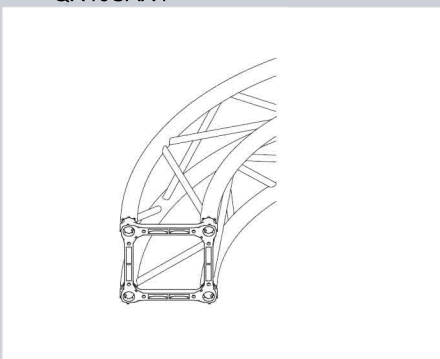
QX40SAX4



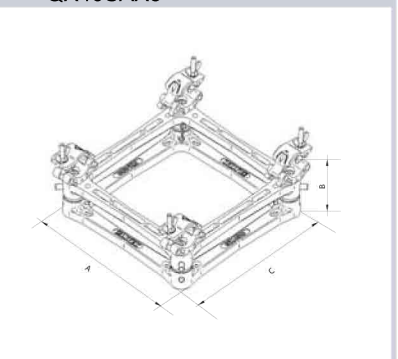
QX40SAX5



QX40SAX6



Q = Square truss



QX40SAAC

LINEAR ELEMENTS

code	cm	kg
QX40SA010	40x40x10	4.4
QX40SA025	40x40x25	5.0
QX40SA050	40x40x50	6.7
QX40SA100	40x40x100	10.0
QX40SA150	40x40x150	13.2
QX40SA200	40x40x200	16.6
QX40SA250	40x40x250	19.9
QX40SA300	40x40x300	23.2
QX40SA350	40x40x350	26.5
QX40SA400	40x40x400	29.8

CORNERS AND FITTINGS

code	cm	kg
QX40K8 (Dado)	40x40x40	12.3
QX40SAL2ADJ	50x50x40	9.0
QX40SAL2045	100x100x40	10.9
QX40SAL2060	100x100x40	11.2
QX40SAL2090	50x50x40	7.6
QX40SAL2120	50x50x40	7.7
QX40SAL2135	50x50x40	7.9
QX40SAL3	50x50x50	9.8
QX40SAT3	100x50x40	12.0
QX40SAT4	50x100x50	14.3
QX40SAX4	100x100x40	16.0
QX40SAX5	100x100x50	18.5
QX40SAX6	100x100x100	22.0

Curves, rings and ellipses are available on demand.

Minimum diameter	2 m
------------------	-----

Diameter measurement	external
----------------------	----------

Weight per meter	approx. 7 kg
------------------	--------------