

Technical Brochure



ParLite LED RGB

Lite LED Series



ParLite LED

RGB IP65

KEY FEATURES

- Ideal digital substitute of the analog par can
- World's #1 truss toner
- 75% to 82% energy saving compared to traditional technology at the same brightness
- Cosmetic design for hi-end installations, only 3 Kg (7 lbs)
- Thick aluminium, long lasting light source in long lasting body
- Variable light projection angles via quick lens change (standard: 12°; optional: 30°, 13°- 40°, 50°, 110°)
- No fan, no maintenance, no noise
- ETL approved
- Internal/External gel frame (standard size for lighting industry)
- Auto-sensing power 90-250 V
- Smart build "Quick Stand" tucked into yoke

ParLite LED RGB

SPECIFICATIONS

RGB color mixing

Standard lens 12°

Electronic dimmer (2 different curves selectable)

Electronic strobe, synchronized, random, pulse effect

Flicker-free

ETL approved

Double yoke for easy ground standing or truss hanging

Weatherproof rating IP20 (ParLite LED IP20), IP65 (ParLite LED IP65)

PHYSICAL SIZE

Length: 211 mm (8.3 in)

Width: 182 mm (7.1 in)

Height: 267 mm (10.5 in)

Weight: 3.5 Kg (7.7 lbs)

LIGHT SOURCE

36 LEDs Cree, 12 Red, 12 Green, 12 Blue

CONTROL PROTOCOL AND PROGRAMMING

Usitt DMX512/1990

DMX channels: 3/6

Setting and addressing: binary dip switch or remotely

4 internal automatic programs

ELECTRONICAL SPECIFICATIONS/CONNECTIONS

AC power: 90-250 V, auto sensing, 50/60 Hz, 2 m (6.6 ft) integral cable without power plug

Power consumption: 0.2 A at 230 V, 0.5 A at 115 V

DMX data in/out: 5 pin locking XLR

ACCESSORIES

30° lens kit (# 9167) 50° lens kit (# 9167/3)

13°x 40° elliptical lens kit (# 9167/2)

110° flood reflector (# 9168)

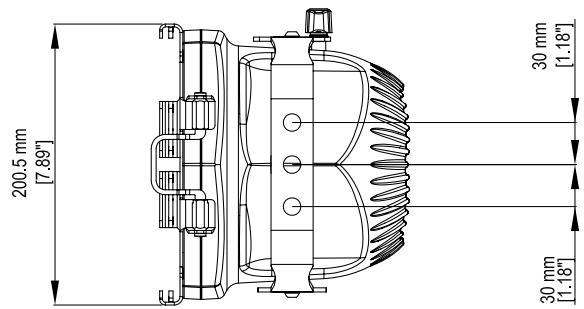
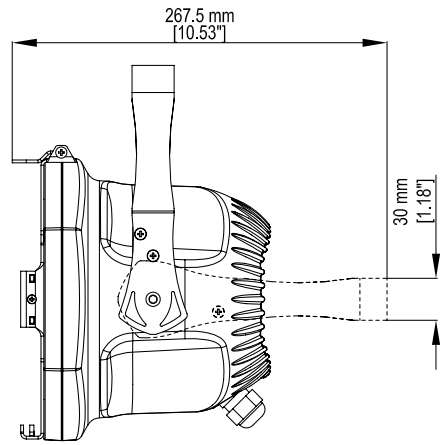
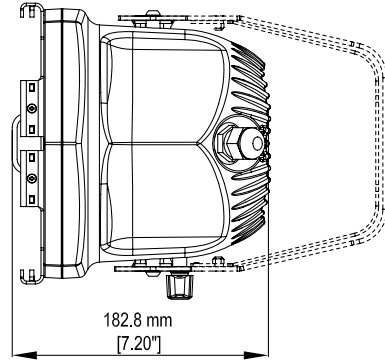
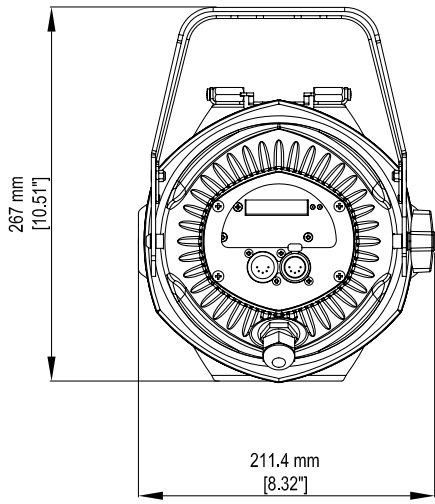
Support color frame holder (black: # 10007A001, silver: # 10007A002)

Frame for internal frost filter (# 9169)

Frame for external frost filter (# 9169/1)

IP65 rear panel (black: # 08E, silver # 08/1E)

4 leaf barndoor (# 9164)

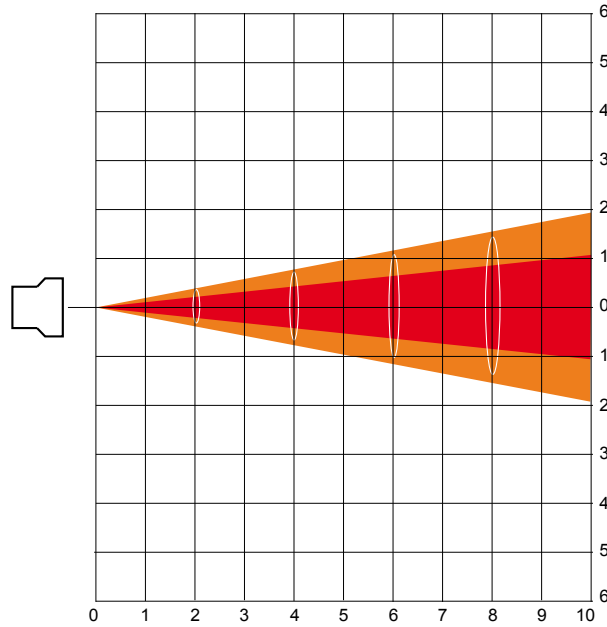


ParLite LED RGB - DMX Charts

channel	function	type of control	effect	decimal	percentage
1	master dimmer	proportional	adjust luminous output intensity from 0 to 100%	0 - 255	0% - 100%
2	red	proportional	proportional control of the percentage of red colour from 0 to 100%	0 - 255	0% - 100%
2 (A)	speed	proportional	fade speed between colours of the program selected from channel 6; from fast to slow (from 1 second to 1 minute)	0 - 255	0% - 100%
Note 1: the second function 2 (A) is enabled when channel 6 is active					
3	green	proportional	proportional control of the percentage of green colour from 0 to 100%	0 - 255	0% - 100%
3 (A)	pause	proportional	control of the pause time between colours (steps) of the program selected from channel 6; the pause time is adjustable proportionally from 1 second to 3.30 minutes	0 - 255	0% - 100%
Note 2: the second function 3 (A) is enabled when channel 6 is active					
4	blue	proportional	proportional control of the percentage of blue colour from 0 to 100%	0 - 255	0% - 100%
5	strobe effect	step	no effect	0 - 9	0% - 4%
		proportional	variable speed strobing effect, from slow to fast	10 - 57	4% - 22%
		step	stop strobe	58 - 59	23% - 23%
		proportional	sequenced pulse effect, slow closing, fast opening (variable speed pulsing, from slow to fast)	60 - 108	24% - 42%
		step	stop strobe	109 - 110	43% - 43%
		proportional	sequenced pulse effect, fast closing, slow opening (variable speed pulsing, from slow to fast)	111 - 159	44% - 62%
		step	stop strobe	160 - 161	63% - 63%
		proportional	random strobe effect with variable speed from slow to fast and synchronised colours	162 - 207	64% - 81%
		step	stop strobe	208 - 209	82% - 82%
6	automated functions	step	no effect	0 - 9	0% - 4%
			automated program 1	10 - 50	4% - 20%
			automated program 2	51 - 91	20% - 36%
			automated program 3	92 - 132	36% - 52%
			automated program 4	133 - 173	52% - 68%
			random program repeat	174 - 214	68% - 84%
			repeat all programs in sequence	215 - 255	84% - 100%
			Projector: Par Lite Led		
Table number: 263		Edition: 0	Date: 07/10/2005		

12° Lenses

Distance (m)	1	2	3	4	5	6	7	8	9	10
Red	6700	1675	744	419	268	186	137	105	83	67
Green	16250	4063	1806	1016	650	451	332	254	201	163
Blue	5325	1331	592	333	213	148	109	83	66	53
White	28750	7188	3194	1797	1150	799	587	449	355	288
1/2 peak angle (m)	0.23	0.46	0.69	0.92	1.15	1.39	1.62	1.85	2.08	2.31
1/10 peak angle (m)	0.39	0.78	1.17	1.56	1.95	2.34	2.73	3.12	3.51	3.90

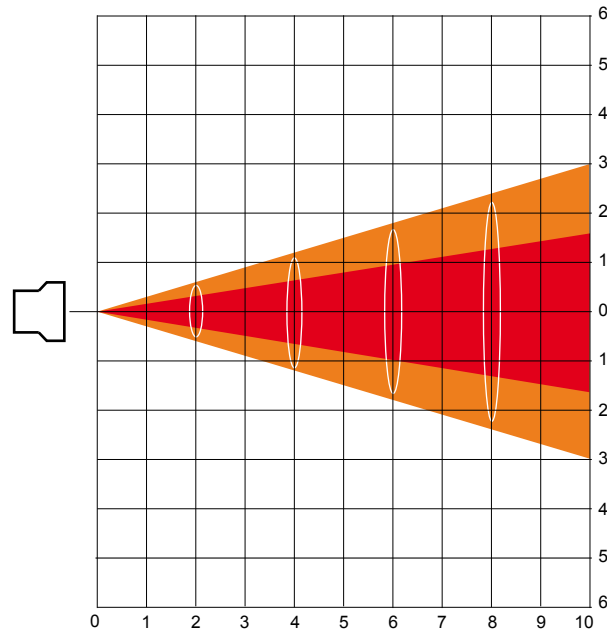


1/2 peak angle: 13°

1/10 peak angle: 22°

30° Lenses

Distance (m)	1	2	3	4	5	6	7	8	9	10
Red	3050	763	339	191	122	85	62	48	38	31
Green	6525	1631	725	408	261	181	133	102	81	65
Blue	2025	506	225	127	81	56	41	32	25	20
White	11750	2938	1306	734	470	326	240	184	145	118
1/2 peak angle (m)	0.32	0.64	0.96	1.28	1.61	1.93	2.25	2.57	2.89	3.21
1/10 peak angle (m)	0.60	1.19	1.79	2.38	2.98	3.57	4.17	4.76	5.36	5.95

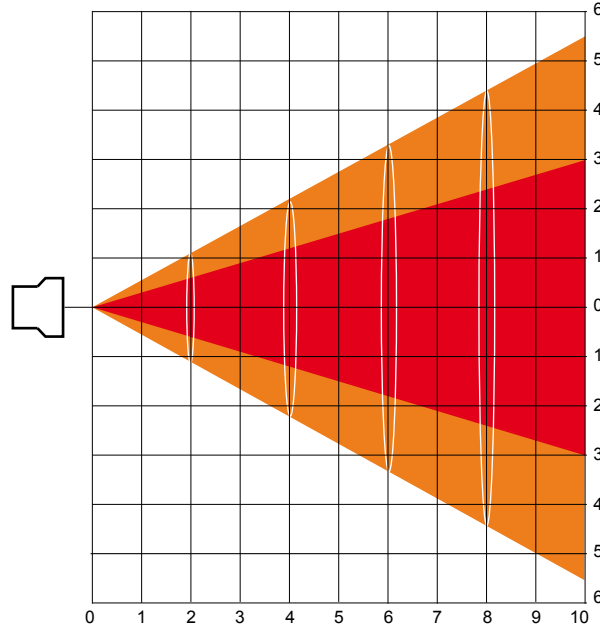


1/2 peak angle: 19°

1/10 peak angle: 36°

50° Lenses

Distance (m)	1	2	3	4	5	6	7	8	9	10
Red	1240	310	138	78	50	34	25	19	15	12
Green	2176	544	242	136	87	60	44	34	27	22
Blue	624	156	69	39	25	17	13	10	8	6
White	3960	990	440	248	158	110	81	62	49	40
1/2 peak angle (m)	0.60	1.21	1.80	2.41	3.01	3.62	4.22	4.82	5.42	6.03
1/10 peak angle (m)	1.11	2.21	3.32	4.42	5.53	6.63	7.74	8.85	9.95	11.05



1/2 peak angle: 33°

1/10 peak angle: 56°

ParLite LED RGB - Available Versions







Code	Description
PC10007A258	ParLite LED RGB, SILVER 12° lens, 5 pin locking XLR
PC10007A261	ParLite LED RGB, IP65 SILVER 12° lens, 5 pin locking XLR
PC10007A058	ParLite LED RGB, SILVER 12° lens, 3 pin locking XLR (on request)
PC10007A061	ParLite LED RGB, IP65 SILVER 12° lens, 3 pin locking XLR (on request)
PC10007A059	ParLite LED RGB, SILVER 30° lens, 3 pin locking XLR (on request)
PC10007A062	ParLite LED RGB, IP65 SILVER 30° lens, 3 pin locking XLR (on request)

ParLite LED RGB - Available Versions






Code	Description
PC10007A252	ParLite LED RGB, BLACK 12° lens, 5 pin locking XLR
PC10007A185	ParLite LED RGB, IP65 BLACK 12° lens, 5 pin locking XLR
PC10007A052	ParLite LED RGB, BLACK 12° lens, 3 pin locking XLR (on request)
PC10007A055	ParLite LED RGB, IP65 BLACK 12° lens, 3 pin locking XLR (on request)
PC10007A053	ParLite LED RGB, BLACK 30° lens, 3 pin locking XLR (on request)
PC10007A056	ParLite LED RGB, IP65 BLACK 30° lens, 3 pin locking XLR (on request)
PC10007A126	ParLite LED RGB, BLACK 120° lens, flood, 3 pin locking XLR (on request)
PC10007A255	ParLite LED RGB, IP65 WHITE 12° lens, 5 pin locking XLR

ParLite LED RGB - Accessories

Picture	Code	Description
	BC10007A001 BC10007A002	Support color frame holder black Support color frame holder silver
	PCO9164	4 Leaf Barndoor
	BC10007A005 PCO9169/1 PCO9167 PCO9167/3 BC10007A006 PCO9167/2	8° lens kit 12° lens kit 30° lens kit 50° lens kit 70° lens kit 40° x 13° lens kit
	PCO9168	110° flood reflector

ParLite LED RGB - Accessories

Picture	Code	Description
	<p>PCO9169</p>	<p>Frame for internal frost filter</p>
	<p>PCO9169/1</p>	<p>Frame for external frost filter</p>
	<p>GPAN08/1E GPAN08E</p>	<p>Rear panel black rear panel silver</p>
	<p>BC10007A007</p>	<p>Egg Crate Louvers</p>



Coemar Lighting Srl
Via Carpenedolo, 90
46043 Castiglione delle Stiviere
Mantova - Italy
ph. +39 0376 1514412
fax. +39 0376 1514380

info@coemar.com
www.coemar.com