



# REMBRANDT PICCOLO 575 W Daylight Fresnel Spotlight



*Mod. 2502*



## FEATURES

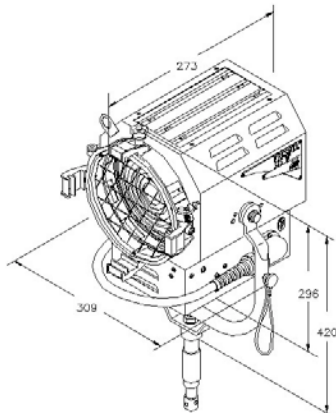
- Compact, highly efficient Fresnel lens spotlight The REMBRANDT PICCOLO 200 W is a compact Fresnel Spotlight, using Single ended Hot Re-strike metal halide discharge lamps having GZY9.5 socket. L.C.L. is 39 mm for 200 W lamp
- 120 mm. diameter high quality, shock resistant Borosilicate glass Fresnel lens on spring supports.
- Rugged and Lightweight Stainless Steel housing with low glare Silver High Temperature (530°C) resistant powder coating, with internal double walls and reinforces.
- High efficiency convection cooling.
- GZY9.5 bi-post socket for Discharge Lamps (High Voltage Rating), with special contacts for homogeneous current distribution over lamp's pins.
- Special bimetallic clad aluminum reflector for high degree of reflectivity and thermal resistance for long life.
- Worn Screw driven focus mechanism which guides Teflon bushings supported lamp carriage along 2 steel rails. This ensures smooth operation, and restricts bouncing or chattering of the lamp carriage during focusing, in any tilting position of the fixture, avoiding lamp failures during operation. The Teflon bushings also provide a wiping action, which cleans the stainless steel guide rails during focus. The whole spot to flood action is accomplished with 1 and half turn of the focusing knob.
- The unit is equipped with a hinged lens door with wire-guard for easy access to the lamp, it includes accessory holding brackets. One of the 4 brackets has a locking knob and is spring loaded, it can be locked to either safely hold barndoor, color frame and scrims or to be rotated 90° and locked in an open position for fast accessories changes. A double safety accessory bracket with spring loaded catch is available on request to be assembled opposite to the locking knob.
- The accessories are secure regardless of the orientation of the fixture. Accessories have been designed for one hand installation.

## CHARACTERISTICS & PERFORMANCE DATA

DESCRIPTION	VALUE	
↻ Amperage	See lamp data ( from ballast to head ) or ballast manual ( supply to ballast)	
↻ MAX Ignition voltage ( hot lamp )	≅ 25 KV	
↻ Connections to ballast ( Standard version )	<b>BALLAST TYPE</b>	<b>CONNECTION</b>
	DEB 575 w	Direct
	DEB 575/1,200 W	Direct to 575 w socket
	Magnetic 575 K	Direct
↻ Connector type	<b>Standard Version</b>	<b>Special Version ( * )</b>
	7 Pin 24-2 Male with ring nut - Type : Bayonet 3 ramps	7 pin ( 6 M - 1 F ) with threaded ring nut - Type : German std M1
↻ Lamp Holder	G 22 for HIGH VOLTAGE use	
↻ Power Cable ( from fixture to ballast )	7 x 1,5 mm <sup>2</sup> - Rubber , for rough service	
↻ Protection Class	Class 1- ground connection required through ballast	
↻ Protection Type	IP 23	
↻ Max Housing surface temperature	120 °C	
↻ Weight of Fixture	5,8 Kg ( MO )	
↻ Weight of barndoor	<b>4 leaf</b>	<b>8 leaf</b>
	0,63 kg.	0,85 kg.
↻ Size of Barndoor ring	<b>Seat Diameter</b>	<b>Ring Diameter</b>
	192 mm.	190 mm.( ≅7" <sub>1/2</sub> )
↻ Size of scrims and color frame	Seat x scrims	Scrim Dia.
	187 mm	185 mm ( ≅7" <sub>1/4</sub> )

( \* ) = Special version with German std M1 connector are available only on special request and shall be used with special ballast and extension cables for connector compatibility .

## USABLE LAMPS



DIMENSIONS SHOWN ARE IN mm.

USABLE LAMPS Manufacturer	575 W Model
OSRAM	HMI 575 w / SE
PHILIPS	MSR 575 w HR
Other manufacturers may be used as long as they meet completely the technical specifications of the above lamps	

## WORKING CONDITIONS

➤ Working Position	Lighting fixture: Max. Tilting $\pm 90^\circ$ from horizontal			Lamp: S90
➤ Ambient Temperature, $t_a$	+45° C Max			
➤ Minimum distances from inflammable surfaces	Top 0,3 m.	Back 0,1 m.	Sides 0,1 m.	Front 2 m.

## DEB DIGITAL BALLASTS



DEB 575W MOD. 2505

LOCAL, REMOTE CONTROL

LOW NOISE &amp; FLICKER FREE SELECTOR

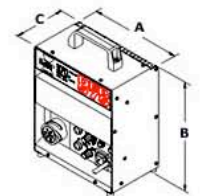
CONVECTION COOLING SYSTEM

CONSTANT OUTPUT LAMP POWER

QUARTZ GENERATED OUTPUT FREQUENCY

Electrical Performance	
Input Voltage	95 - 135V
	185 - 265V
Nominal effective input current	8.6 A at 110V
	4.3 A at 220V
Efficiency (Average)	> 0,93
Power factor (Average)	> 0,65
Dimmer range	30%
On/Off control	Either local or remote

Weights & Dimensions		
Dimensions	inches	mm
width (A)	7.87	199
height (B)	9.06	230
depth (C)	4.13	104
Weight	Lbs	Kg
	7.7	3,49
Working position	Ballast with control panel facing top	
Ambient temperature	Max 45° C	
& Humidity allowed	Not condensing	





DIGITAL DEB 575-1200W MOD. 2515  
(in case it is required POWER FACTOR CORRECTION and DMX control for the 575W lamp)

PROTECTION FOR HIGH OR LOW INPUT VOLTAGE: Avoids ballast breakage in case of wrong mains connection (for instance 380V)

POWER FACTOR CORRECTION (ACTIVE LINE FILTER)  
LED DISPLAY: It include a membrane keypad in order to activate different functions, Multi-language menu, System diagnostic, DMX addressing, DATA LOG (hour counter for lamp/ballast operation, record of diagnostic status). Output Frequency set up (for high speed electronic shutter in PAL or NTSC)

LOCAL, REMOTE AND DMX CONTROL

LOW NOISE & FLICKER FREE SELECTOR

DUAL POWER OUTPUT WITH AUTOMATIC SELECTION

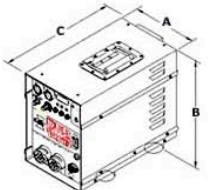
OUTPUT SHORT CIRCUIT & ARC TO GROUND PROTECTION

CONSTANT OUTPUT LAMP POWER

QUARTZ GENERATED OUTPUT FREQUENCY

Electrical Performance	
Input Voltage	95 - 265 V
Nominal effective input current	6.0 A (575kw) - 12.3 A (1.2kw) at 110V 2.9 A (575kw) - 6 A (1.2kw) at 220V
Efficiency (Average)	> 0,93
Power factor (Average)	> 0,95
Dimmer range	30%
On/Off control	Local, Remote or DMX

Weights & Dimensions		
Dimensions	inches	mm
width (A)	7.87	199
height (B)	8.67	220
depth (C)	13.39	340
Weight	Lbs	Kg
	20.9	9,48
Working position	Ballast with control panel facing front	
Ambient temperature	-20...+45°C	
& Humidity allowed	IP23	



## PHOTOMETRIC DATA

Photometric Data Rembrandt Piccolo 575 W

Values measured with MSR 575 HR, 150 mm. Diam. Fresnel Lens									
TYPICAL DISTANCES		FEET				METERS			
		10'	20'	30'	40'	3	6	9	12
LIGHT CENTER VALUES	Candle Power	Footcandles				Lux			
SPOT	401.775	4.018	1.004	446	251	44.642	11.160	4.960	2.790
FLOOD	50.000	500	125	56	31	5.556	1.389	617	347
		F.C. AT ANY DISTANCE = Candle Power : (distance in ft)²				LUX. AT ANY DISTANCE = Candle Power : (distance in ft)²			
BEAM ANGLE (50% of center value)		BEAM DIAMETER (W x H in feet)				BEAM DIAMETER (W x H in meters)			
SPOT	5,8°	1.0'	2.0'	3.0'	4.1'	0,3 mt	0,6 mt	0,9 mt	1,3 mt
FLOOD	47,0°	8.7'	17.4'	26.1'	34.8'	2,6 mt	5,2 mt	7,8 mt	10,4 mt

## VERSIONS & MODEL NUMBERS

<i>Mod</i>	<i>Description</i>
2502.110	<b>REMBRANDT PICCOLO 575 W MARK 2</b> Single Ended Stainless Steel DAYLIGHT FRESNEL with NEW IGNITER SYSTEM, including: M.O. Fixture Head with 150 mm. Ø Fresnel lens, 0,5 mt. cable tail with MIL in-line male connector <b>Mod. 2502.101</b> - 7,5mt. detachable cable <b>Mod. 2001.100</b> - four leaf rotating barndoor <b>Mod. 316.100</b> - colour frame <b>Mod. 317.100</b> - stainless steel wire guard <b>Mod. 315.300</b> - M.O. stirrup <b>Mod. 2502.110.40</b>
2505.500	"DEB" 575 W CE 110-230V (MIL Version), Flicker Free electronic ballast, including: IP23 - main input <b>95/135 V.</b> and <b>185/265 V.</b> , 50/60 Hz - Local/Remote control selector - dimmer range: 30% power = 50% light intensity - quartz generated output frequency - 2 mt. main cable (INPUT) - MIL connector (OUTPUT)
2515.110	"DEB" 575/1200 W CE - 230V (MIL Version) Digital Flicker Free electronic ballast including: main input <b>185/265 V</b> , 50/60 Hz, with PFC (power factor correction) - display with DATA LOG - Local/Remote/DMX control selector (In DMX mode it occupies 1 channel: ON/OFF+DIMMER) - dimmer range: 30% power= 50% light intensity - protected to output short circuits and 380V high voltage input - quartz generated output frequency - 2 mt. detachable main cable (INPUT) - MIL connector (OUTPUT) - XLR 5 pin panel mounted Male and Female (DMX remote control)
2515.210	"DEB" 575/1200 W 120/230V (MIL Version) Digital Flicker Free electronic ballast including: main input <b>95/135 V</b> and <b>185/265 V</b> , 50/60 Hz, with PFC (power factor correction) - display with DATA LOG - Local/Remote/DMX control selector (In DMX mode it occupies 1 channel: ON/OFF+DIMMER) - dimmer range: 30% power= 50% light intensity - protected to output short circuits and 380V high voltage input - quartz generated output frequency - 2 mt. detachable main cable (INPUT) - MIL connector (OUTPUT) - XLR 5 pin panel mounted Male and Female (DMX remote control)

## ACCESSORIES TYPES & MODEL NUMBERS

<i>Mod.</i>	<i>Optional &amp; Accessories</i>
2502.110.40	Steel tube (M.O.) stirrup with 28,57 mm. spigot (B.S. 1 1/8"), with top end for attachment to "C" clamp.
2502.300.40	Steel tube (M.O.) stirrup with 28,00 mm. spigot (D.I.N)
2001.100	7,5 mt. extension cable
2001.200	15 mt. extension cable
2502.601	Fly case for Rembrandt Piccolo 575W for complete kit
315.300	Stainless Steel wire guard
316.100	Four leaf rotating barndoor
316.200	Eight way rotating barndoor
317.100	Colour frame
318.100	Cone with two discs (with front aperture diameter: 105 mm. 80 mm. 55 mm.)
319.100	Set of scrims - Stainless steel
319.101	Full single scrim - Stainless steel



319.102	Full double scrim - Stainless steel
319.103	1/2 single scrim - Stainless steel
319.104	1/2 double scrim - Stainless steel
319.250	180° Bottom Light spill protection
91.200	Solid brass "C" clamp to hang fixtures overhead and for mounting on pipe with diameters up to 52 mm. (2"), with safety pin (no adapters)
20.100	Safety cable 800 mm. long with 4 mm. diameter steel rope and safety catch.
DGP-A110	Combo stand complete with: lazy leg, 29 mm. Socket (1 1/8") and 16 mm. Spigot (5/8")
DGP-A9000	Caster set diam. 100 mm. braked

